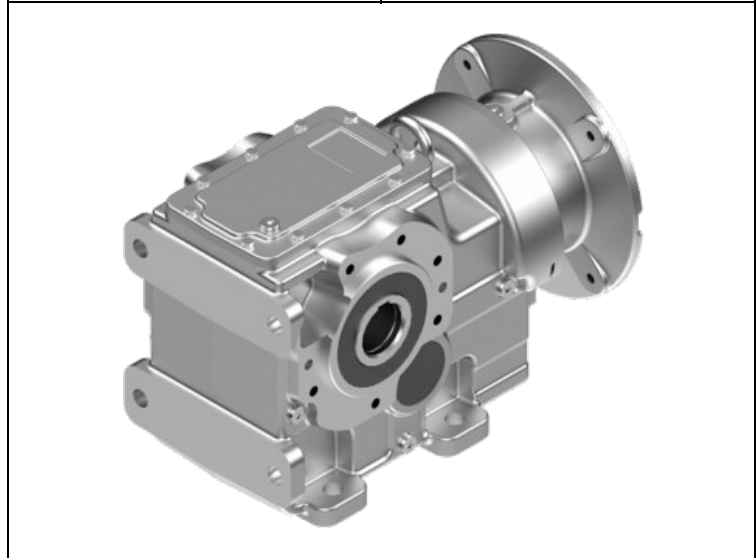


## Helical Bevel Gear Units K Series

Technic Selection	
Type	K
Input Option	Without Motor
Assembly Shaft Design	DG (HOLLOW SHAFT)
Body Size	60390
FA Press [N]	6000
FA Pull [N]	6000
FR [N]	12300
Frequency [Hz]	50
fs	1.5
iges	121.39
M2 [Nm]	2335
M2max [Nm]	3500
Motor Efficiency	IE2
Motor Size	100/4P
n1 [rpm]	1400
n2 [rpm]	11.5
P1 [kW]	3
P1max [kW]	4.5

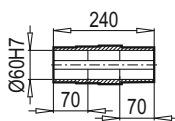
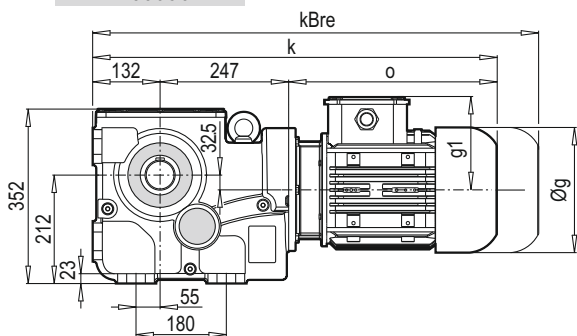


Variation	
Input Connection Type	PAM
Input Backstop Status	Without Backstop
Input Connection Size	PAM-100-B5
Output Shaft Diameter	ØD=Ø60H7[mm]
Mounting Position	M1

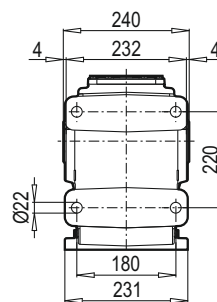
Accessory	
Accessory Type	B5
Accessory Size	FC-Ø300
Accessory Direction	L

Option	
Oil Status	Exist
Oil Type	Mineral ISO VG 220
Vent Plug	Standard
Oil Indicator Plug	None
Product Label	Standard
Color	RAL 7000
Montage Position Status	Standard
Amount Of Oil [Liter]	6,8
Case Material	GGG-40
Reinforced Bearing Status	None
Output Oil Seal Type	NBR
Output Bearing Quality	Europe

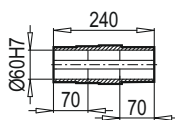
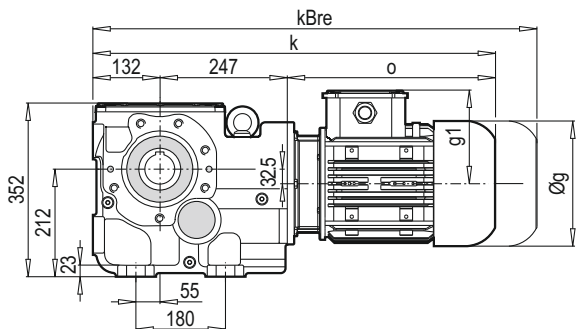
**K 60390**



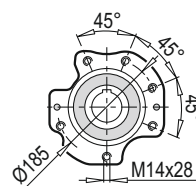
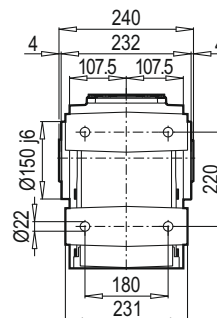
**DA**



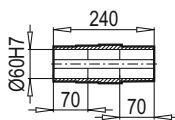
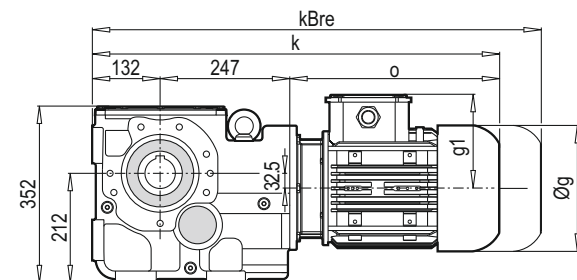
**K 60390**



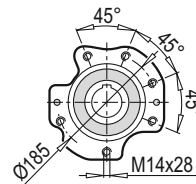
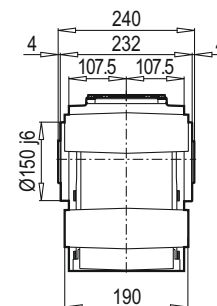
**DA / B14**



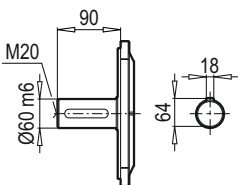
**K 60390**



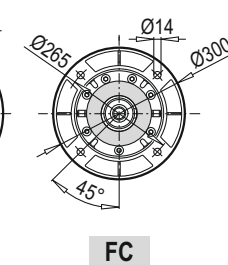
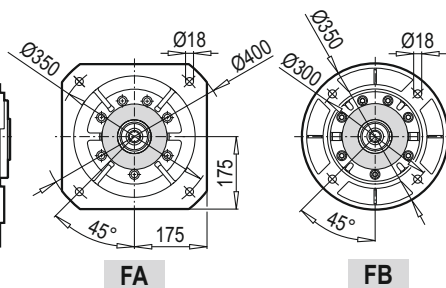
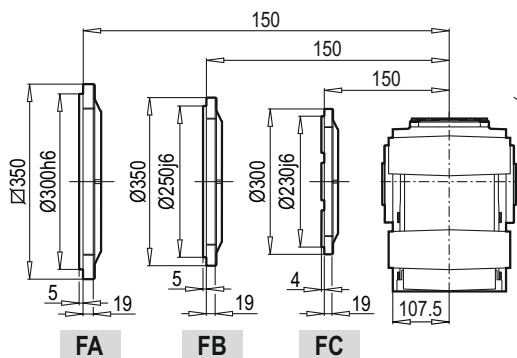
**DG / B14**



**TMG / B5**



**DG / B5**



**FA**

**FB**

**FC**

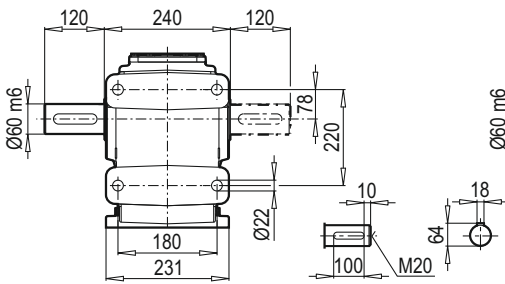
**FA**

**FB**

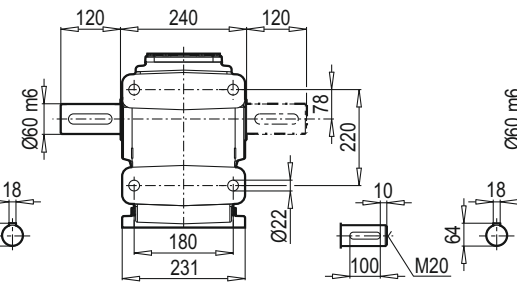
**FC**

	90S	90L	100L	112M	132S	132M	160M/L	180M/L
<b>g</b>	193	193	217	232	279	279	323	370
<b>g1</b>	151	151	160	168	182	182	200	248
<b>k</b>	662	682	705	759	765	800	887	952
<b>kBre</b>	735	755	786	839	873	941	1039	1114
<b>o</b>	283	303	326	380	386	421	508	573

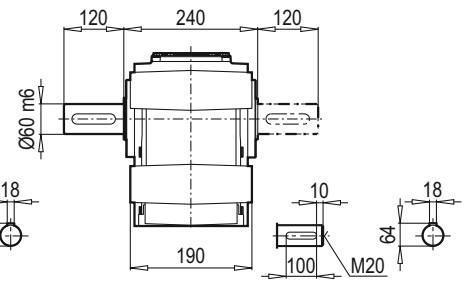
**TMA - ÇMA**



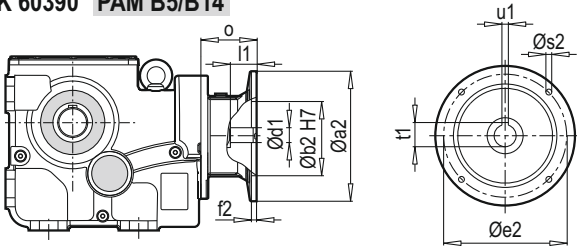
**TMA - ÇMA / B14**



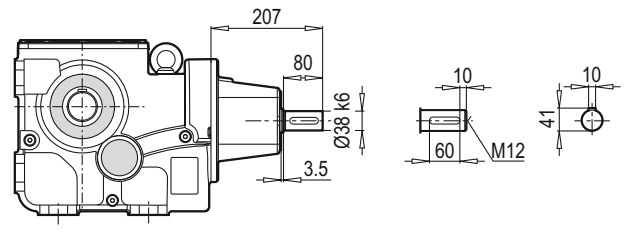
**TMG - ÇMG / B14**



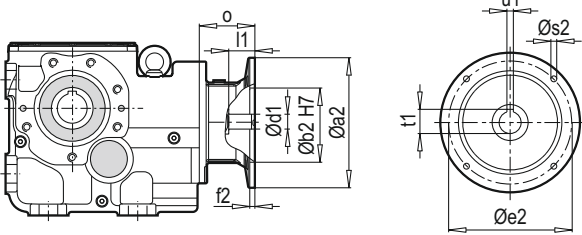
**K 60390 PAM B5/B14**



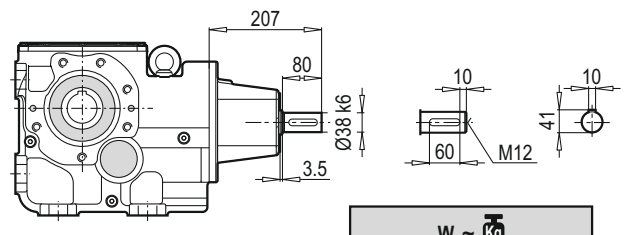
**K 60390 W**



**K 60390 PAM B5/B14**

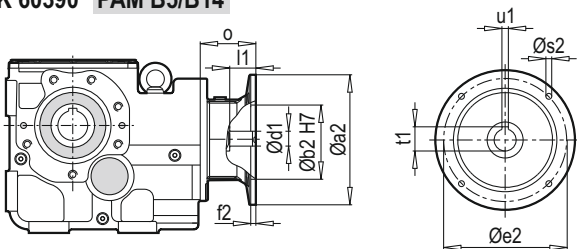


**K 60390 W**

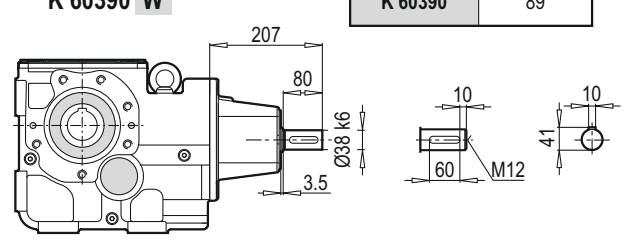


W ~ Kg	
K 60390	89

**K 60390 PAM B5/B14**



**K 60390 W**



Typ / Type / Tipo Type / Tipo	PAM B5	Øa2	Øb2	Øe2	f2	Øs2	Ød1	l1	t1	u1	o
K 60390	90	200	130	165	5	10	24	52	27.3	8	61
	100	250	180	215	5.5	12	28	62	31.3	8	76
	112	250	180	215	5.5	12	28	62	31.3	8	76
	132	300	230	265	5.5	12	38	82	41.3	10	101
	160	350	250	300	7	16	42	112	45.3	12	148
	180	350	250	300	7	16	48	112	51.8	14	148

~ Kg	
PAM B5	K 60390
90	80
100	84
112	84
132	87
160	93
180	93

Typ / Type / Tipo Type / Tipo	PAM B14	Øa2	Øb2	Øe2	f2	Øs2	Ød1	l1	t1	u1	o
K 60390	90	140	95	115	3	9	24	52	27.3	8	61
	100	160	110	130	3.5	9	28	62	31.3	8	76
	112	160	110	130	3.5	9	28	62	31.3	8	76
	132	200	130	165	3.5	11	38	82	41.3	10	101

~ Kg	
PAM B14	K 60390
90	77
100	79
112	79
132	85