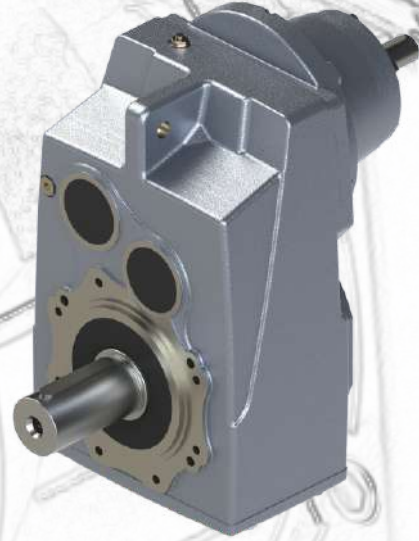


Parallel Shaft Mounted Gear Units

Paralel Şaft Montajlı Redüktör

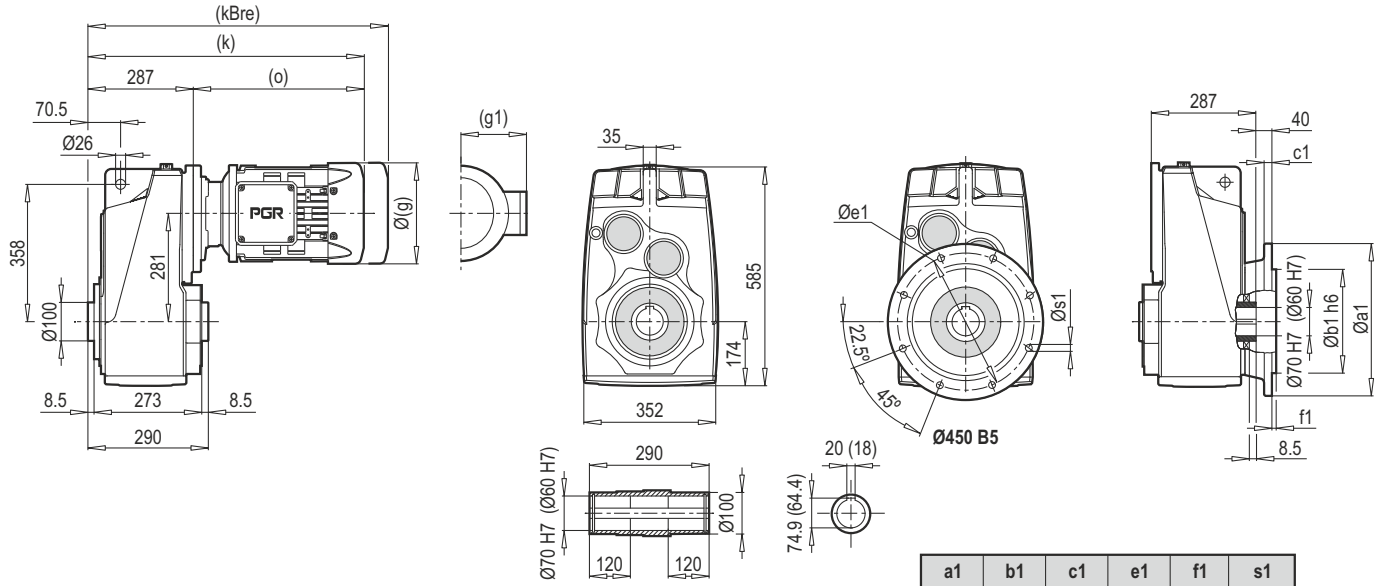
PD/PM SERIES



P ₁ [kW]	n ₂ [Min ⁻¹]	M ₂ [Nm]	f _B	i _{ges}	F _R [kN]	F _A [kN]	F _{R GR} [kN]	F _{A GR} [kN]	Tip / Type	Kg	Sayfa Page mm
45.0	42.5	10115	1.6	34.36	25.0	37.0	64.0	82.0	PD 92 - 225M/4C PM 92 - 225M/4C	979	150
	47.4	9064	2.0	30.79	25.0	37.0	62.0	81.0			
	54.4	7903	2.2	26.85	25.0	37.0	61.0	79.0			
	63.0	6821	2.4	23.17	25.0	36.0	59.0	77.0			
	72.7	5914	2.7	20.09	25.0	35.0	57.0	75.0			
	84.2	5104	3.0	17.34	25.0	34.0	55.0	72.0			
	30.5	14068	0.9	47.79	8.0	18.0	55.0	80.0	PD 83 - 225M/4C PM 83 - 225M/4C	682	147
	33.6	12809	0.8	43.52	11.0	22.0	56.0	81.0			
	40.8	10546	1.1	35.83	13.0	24.0	56.0	80.0			
	47.3	9076	1.3	30.84	15.0	26.0	55.0	80.0			
	59.6	7213	1.5	24.51	18.0	28.0	55.0	79.0	PD 82 - 225M/4C PM 82 - 225M/4C	678	146
	69.1	6223	1.7	21.14	19.0	28.0	54.0	78.0			
	83.9	5124	1.9	17.41	19.0	28.0	52.0	75.0			
	96.1	4470	2.1	15.19	19.0	28.0	51.0	73.0			
	112.4	3823	2.7	12.99	19.0	27.0	50.0	71.0			
	134.2	3202	3.2	10.88	19.0	27.0	48.0	69.0			
	151.0	2846	2.3	9.67	18.0	25.0	46.0	67.0			
	176.6	2434	3.0	8.27	18.0	25.0	45.0	65.0			
	54.2	7925	0.8	26.92	8.0	15.0	44.0	63.0	PD 73 - 225M/4C PM 73 - 225M/4C	557	143
	62.2	6908	1.0	23.47	9.0	17.0	43.0	63.0			
	63.8	6739	0.9	22.90	11.0	18.0	44.0	65.0	PD 72 - 225M/4C PM 72 - 225M/4C	550	142
	73.2	5875	1.0	19.96	12.0	20.0	44.0	64.0			
	89.7	4789	1.4	16.27	13.0	20.0	43.0	62.0			
	113.3	3793	1.5	12.89	13.0	20.0	41.0	60.0			
	130.6	3290	1.9	11.18	14.0	20.0	40.0	59.0			
	147.3	2918	1.5	9.91	13.0	19.0	39.0	57.0			
	154.3	2784	2.2	9.46	14.0	20.0	39.0	57.0			
	169.0	2543	1.7	8.64	13.0	19.0	38.0	56.0			
194.8	2206	2.0	7.50	13.0	19.0	37.0	54.0				
230.2	1867	2.4	6.34	13.0	18.0	36.0	52.0				
245.0	1754	2.5	5.96	13.0	18.0	35.0	52.0				
275.4	1561	2.6	5.30	13.0	18.0	35.0	50.0				
290.2	1481	2.7	5.03	13.0	18.0	34.0	50.0				
342.4	1255	2.9	4.26	13.0	17.0	33.0	48.0				
118.3	3632	1.2	12.34	10.0	16.0	32.0	46.0	PD 62 - 225M/4C PM 62 - 225M/4C	487	138	
137.5	3126	1.4	10.62	11.0	16.0	32.0	46.0				
186.8	2300	1.2	7.81	11.0	16.0	30.0	43.0				
217.1	1980	1.5	6.73	11.0	16.0	29.0	42.0				
243.6	1764	1.4	5.99	11.0	16.0	29.0	41.0				
252.8	1700	1.4	5.78	11.0	16.0	29.0	41.0				
266.0	1615	1.4	5.49	11.0	15.0	28.0	41.0				
298.2	1441	1.5	4.90	11.0	15.0	28.0	40.0				
333.2	1290	1.6	4.38	11.0	15.0	27.0	39.0				
55.0	9.5	55341	1.6	154.35	-	-	67.0				105.0
	10.7	49198	1.8	137.22	-	-	94.0	106.0			
	12.5	42073	2.1	117.35	-	-	113.0	107.0			
	14.5	36167	2.5	100.88	-	-	124.0	106.0			
	8.5	61653	1.1	171.96	-	-	49.0	121.0	PD 113 - 250M/4C PM 113 - 250M/4C	2539	159
	9.6	54809	1.3	152.87	-	-	69.0	120.0			
	11.2	46871	1.5	130.73	-	-	94.0	120.0			
	13.0	40293	1.7	112.38	-	-	113.0	118.0			
	15.9	33011	2.0	92.07	-	-	128.0	116.0			
	19.0	27610	2.3	77.01	-	-	135.0	113.0			
	23.1	22747	2.6	63.44	-	-	140.0	109.0			
	27.0	19453	2.8	54.26	-	-	143.0	106.0			
	14.0	37542	0.9	104.71	-	-	99.0	119.0	PD 103 - 250M/4C PM 103 - 250M/4C	1701	155
	16.0	32753	1.1	91.35	-	-	109.0	119.0			
	20.1	26069	1.4	72.71	-	-	120.0	116.0			
	22.4	23464	1.5	65.44	-	-	125.0	114.0			
	25.8	20351	1.7	56.76	-	-	128.0	112.0			
	30.6	17191	2.0	47.95	-	-	131.0	109.0			
	35.7	14701	2.4	41.00	-	-	133.0	106.0			
	42.6	12316	2.8	34.35	-	-	134.0	102.0			
	49.2	10682	2.9	29.79	-	-	135.0	99.0			
	53.9	9746	2.7	27.18	-	-	135.0	97.0			

PD 62

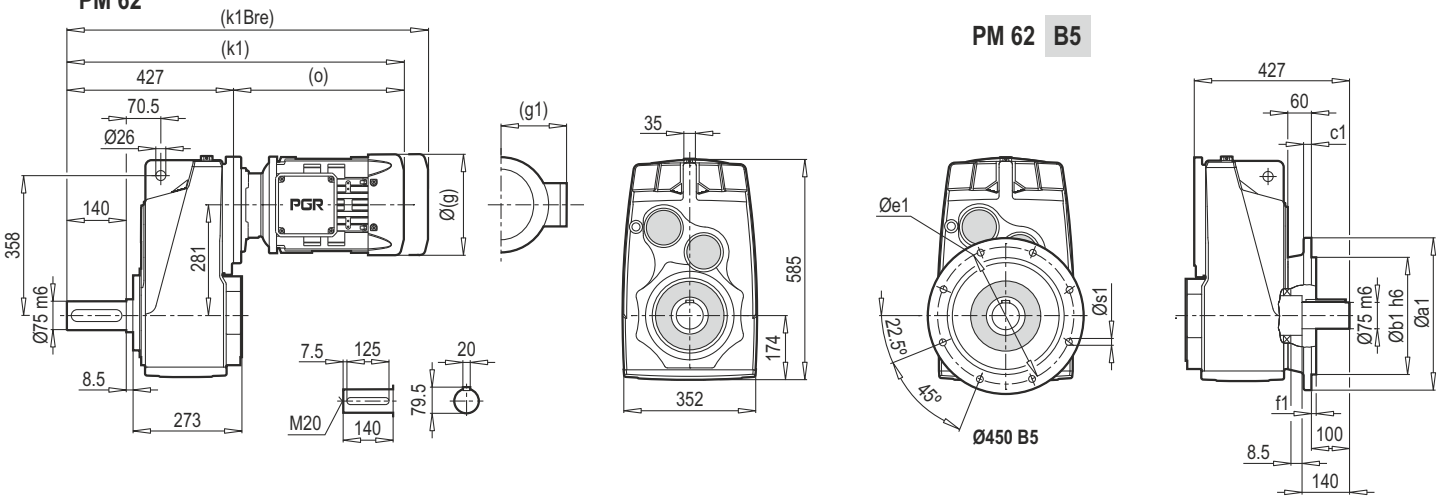
PD 62 B5



a1	b1	c1	e1	f1	s1
400	300	20	350	5	4x18
450	350	22	400	5	8x18

PM 62

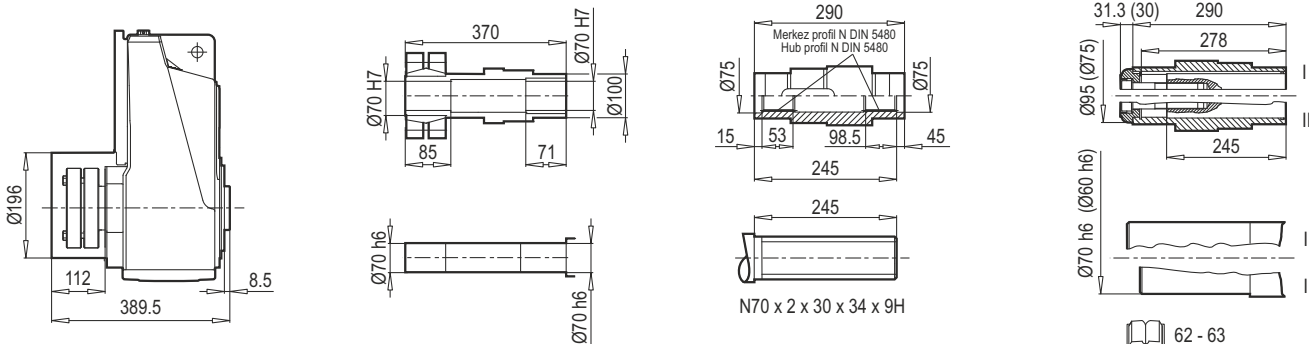
PM 62 B5



PD 62 KS

PD 62 DIN 5480

PD 62 Ç

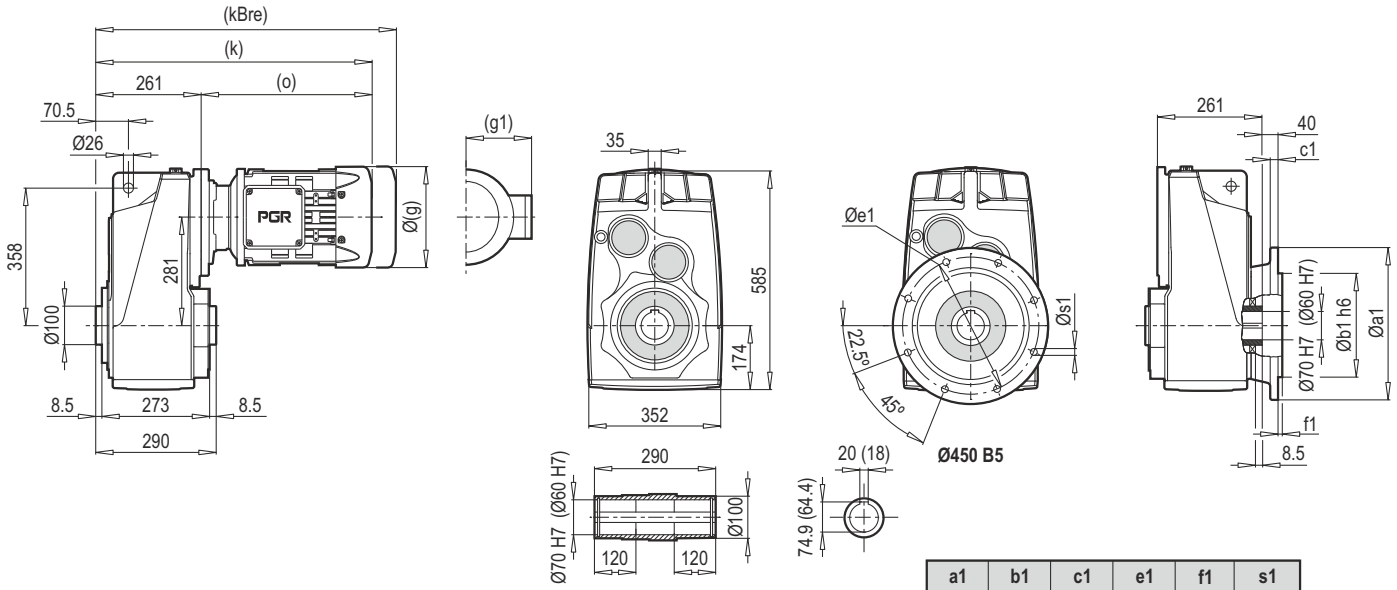


	100 L	112 M	132 S	132 M	160 M/L	180 M/L	200 L	225 S/M
g	217	232	279	279	323	370	415	456
g1	160	168	182	182	200	248	260	260
k/k1	599/740	647/788	650/791	685/826	751/892	810/951	905/1046	987/1128
kBre/k1Bre	680/821	727/868	758/899	826/967	903/1044	972/1113	1052/1193	1159/1300
o	312	360	363	398	464	523	618	700

Not : (...) İşaretli olan ölçüler Motor markasına göre farklılık gösterir / Note : Dimension which is designated by (...) depends on marks of motor.

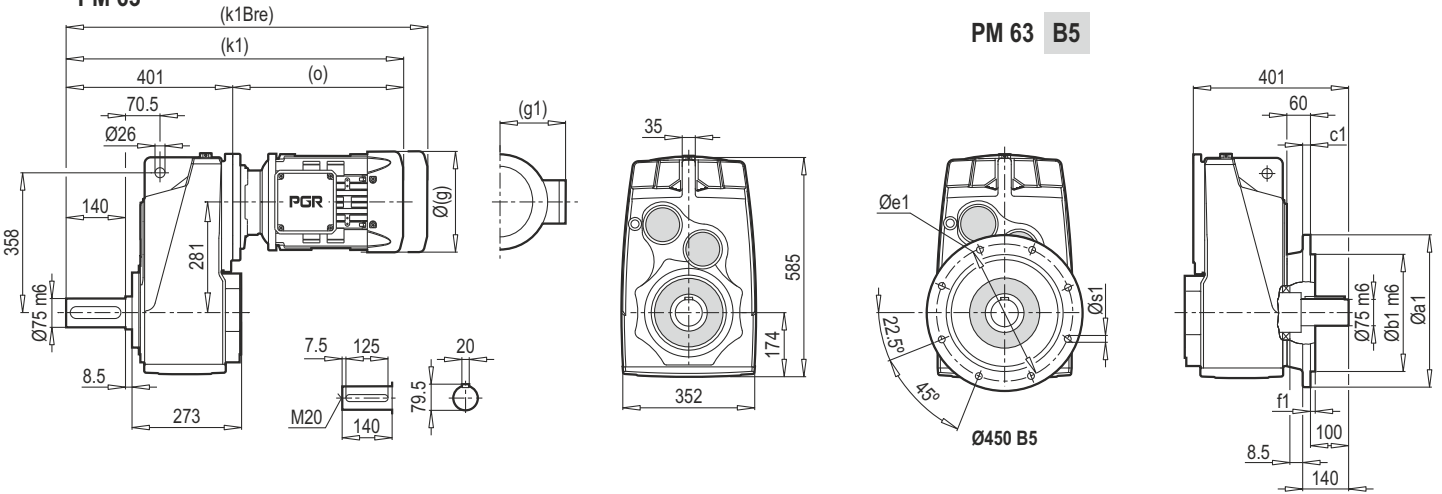
PD 63

PD 63 B5



PM 63

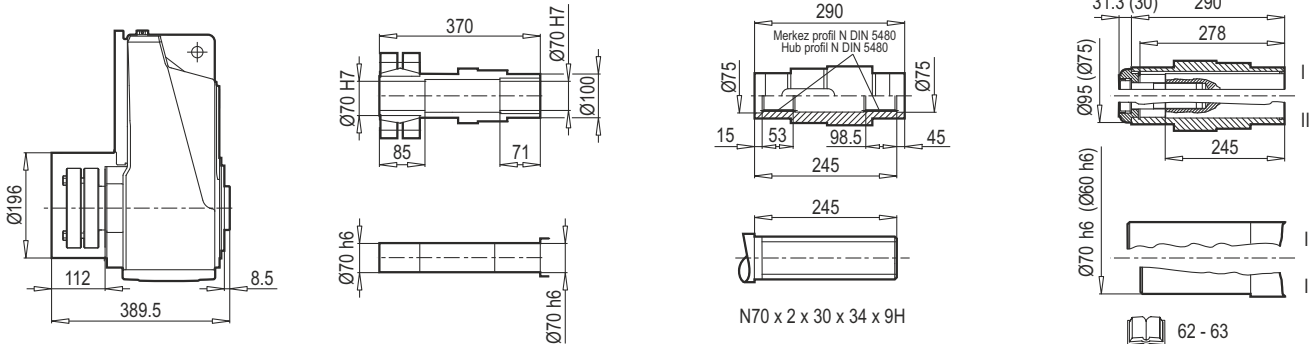
PM 63 B5



PD 63 KS

PD 63 DIN 5480

PD 63 Ç



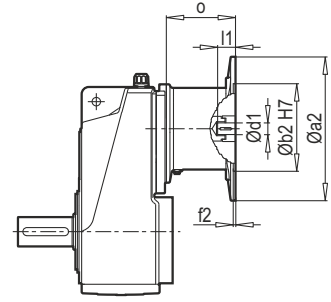
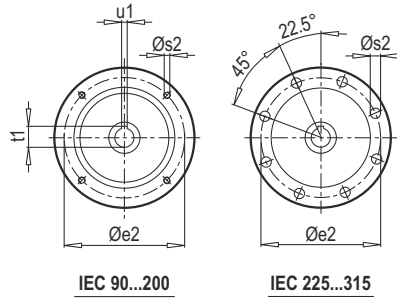
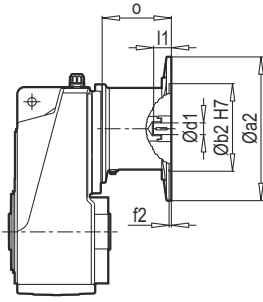
	90 S	90 L	100 L	112 M	132 S	132 M	160 M/L	180 M/L
g	193	193	217	232	279	279	323	370
g1	151	151	160	168	182	182	200	248
k/k1	526/666	546/686	574/714	619/759	626/766	661/801	766/906	840/980
kBre/k1Bre	599/739	619/759	655/795	699/839	734/874	802/942	918/1058	1002/1142
o	265	285	313	358	365	400	505	579

Not : (...) İşaretli olan ölçüler Motor markasına göre farklılık gösterir / Note : The dimensions which have (...) sign vary depending on the motor brand.

PD 62
PD 63

IEC

PM 62
PM 63



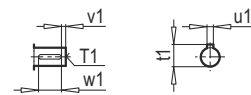
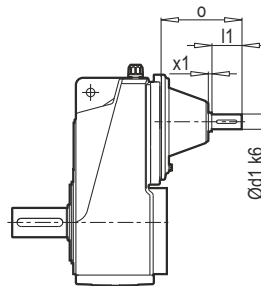
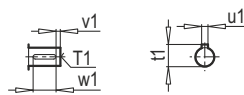
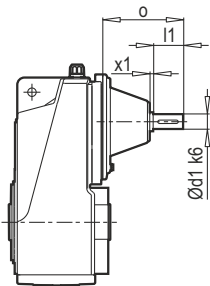
Tip / Type	IEC	Øa2	Øb2	Øe2	f2	Øs2	Ød1	l1	t1	u1	PD/PM 62 o	PD/PM 63 o
PD/PM 63	90	200	130	165	4.0	M10	24	50	27.3	8	-	109
PD/PM 62-63	100	250	180	215	5.0	M12	28	60	31.3	8	127	133
PD/PM 62-63	112	250	180	215	5.0	M12	28	60	31.3	8	127	133
PD/PM 62-63	132	300	230	265	5.0	M12	38	80	41.3	10	177	190
PD/PM 62-63	160	350	250	300	6.0	M16	42	110	45.3	12	266	194
PD/PM 62-63	180	350	250	300	6.0	M16	48	110	51.8	14	266	194
PD/PM 62	200	400	300	350	6.0	M16	55	110	59.3	16	229	-
PD/PM 62	225	450	350	400	6.0	M16	60	140	64.4	18	303	-

~ Kg		
IEC	PD/PM 62	PD/PM 63
90	-	196
100	213	204
112	213	204
132	227	218
160	253	229
180	253	229
200	268	-
225	284	-

PD 62
PD 63

W

PM 62
PM 63



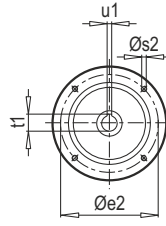
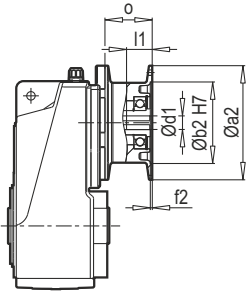
Tip / Type	Ød1	x1	l1	o	T1	t1	u1	v1	w1
PD/PM 62	42	8	110	288	M16	45	12	10	90
PD/PM 63	38	8	80	213	M12	41	10	5	70

~ Kg	
PD/PM 62	226
PD/PM 63	202

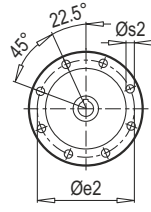
PD 62
PD 63

PAM B5/B14

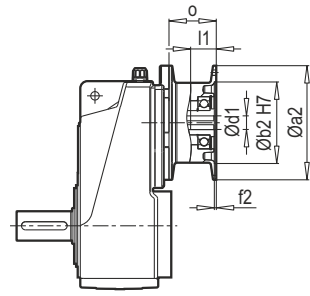
PM 62
PM 63



PAM 90...200



PAM 225...315



Tip / Type	PAM B5	Øa2	Øb2	Øe2	f2	Øs2	Ød1	l1	t1	u1	o (62)	o (63)
PD/PM 63	90	200	130	165	4.0	M10	24	50	27.3	8	-	72
PD/PM 62-63	100	250	180	215	5.0	M12	28	60	31.3	8	75	75
PD/PM 62-63	112	250	180	215	5.0	M12	28	60	31.3	8	75	75
PD/PM 62-63	132	300	230	265	5.0	M12	38	80	41.3	10	110	94
PD/PM 62-63	160	350	250	300	6.0	M16	42	110	45.3	12	145	120
PD/PM 62-63	180	350	250	300	6.0	M16	48	110	51.8	14	145	120
PD/PM 62	200	400	300	350	6.0	M16	55	110	59.3	16	157	-
PD/PM 62	225	450	350	400	6.0	M16	60	140	64.4	18	183	-

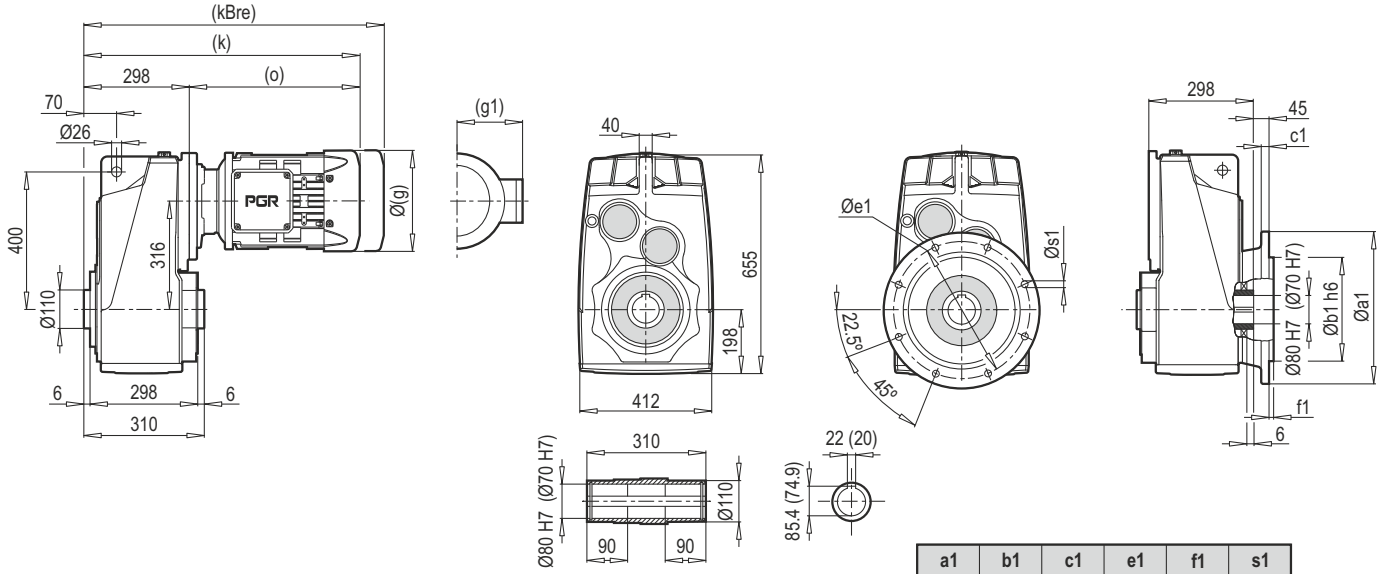
~ Kg		
PAM B5	PD/PM 62	PD/PM 63
90	-	183
100	190	184
112	190	184
132	201	193
160	218	201
180	218	201
200	225	-
225	225	-

Tip / Type	PAM B14	Øa2	Øb2	Øe2	f2	Øs2	Ød1	l1	t1	u1	o (62)	o (63)
PD/PM 63	90	140	95	115	4.0	9	24	50	27.3	8	75	75
PD/PM 62-63	100	160	110	130	5.0	9	28	60	31.3	8	75	75
PD/PM 62-63	112	160	110	130	5.0	9	28	60	31.3	8	110	94
PD/PM 62-63	132	200	130	165	5.0	11	38	80	41.3	10	110	94

~ Kg		
PAM B14	PD/PM 62	PD/PM 63
90	-	182
100	189	183
112	189	183
132	196	188

PD 72

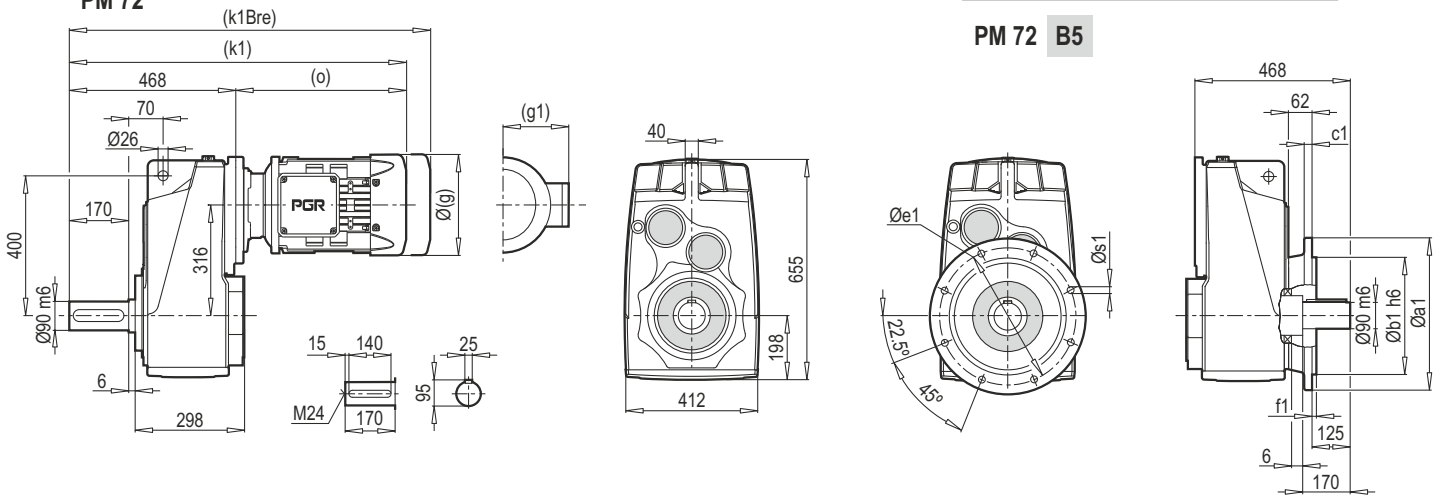
PD 72 B5



a1	b1	c1	e1	f1	s1
450	350	22	400	5	8x18
550	450	28	500	5	8x18

PM 72

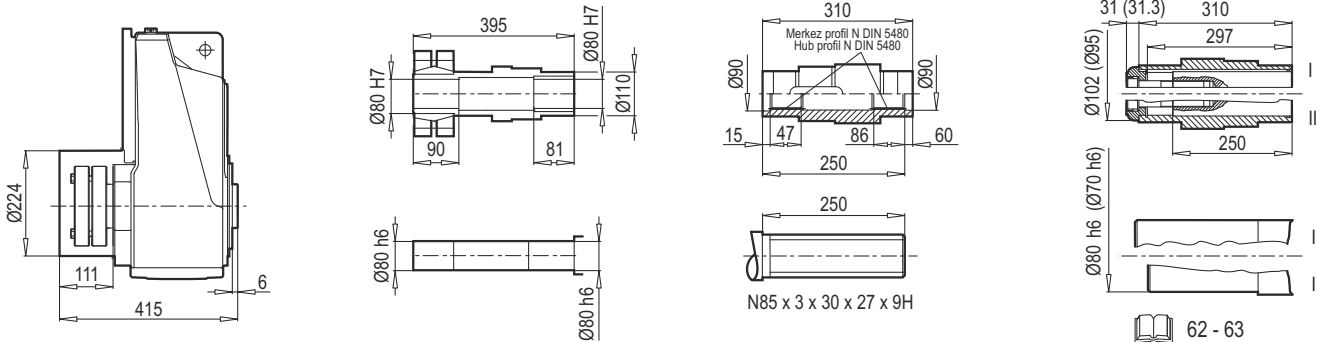
PM 72 B5



PD 72 KS

PD 72 DIN 5480

PD 72 Ç

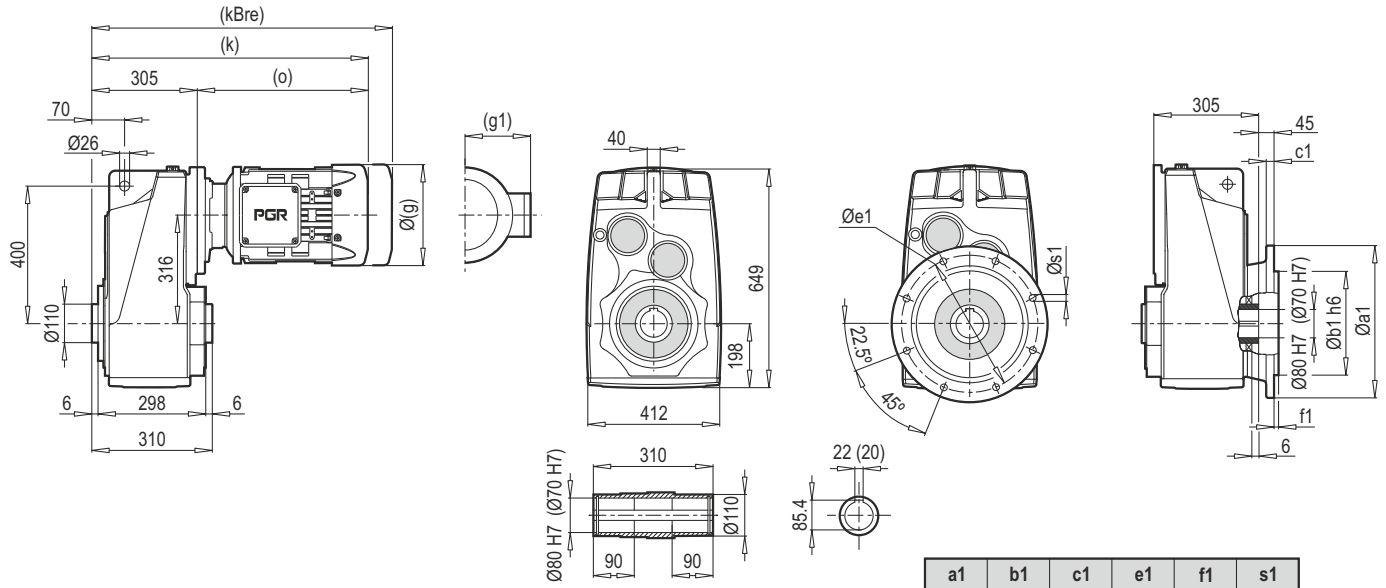


	132 M	160 M/L	180 M/L	200 L	225 S/M
g	279	323	370	415	456
g1	182	200	248	260	260
k/k1	696/866	762/932	821/991	916/1086	998/1168
kBre/k1Bre	837/1007	914/1084	983/1153	1063/1233	1170/1340
o	398	464	523	618	700

Not : (...) İşaretli olan ölçüler Motor markasına göre farklılık gösterir / Note : The dimensions which have (...) sign vary depending on the motor brand.

PD 73

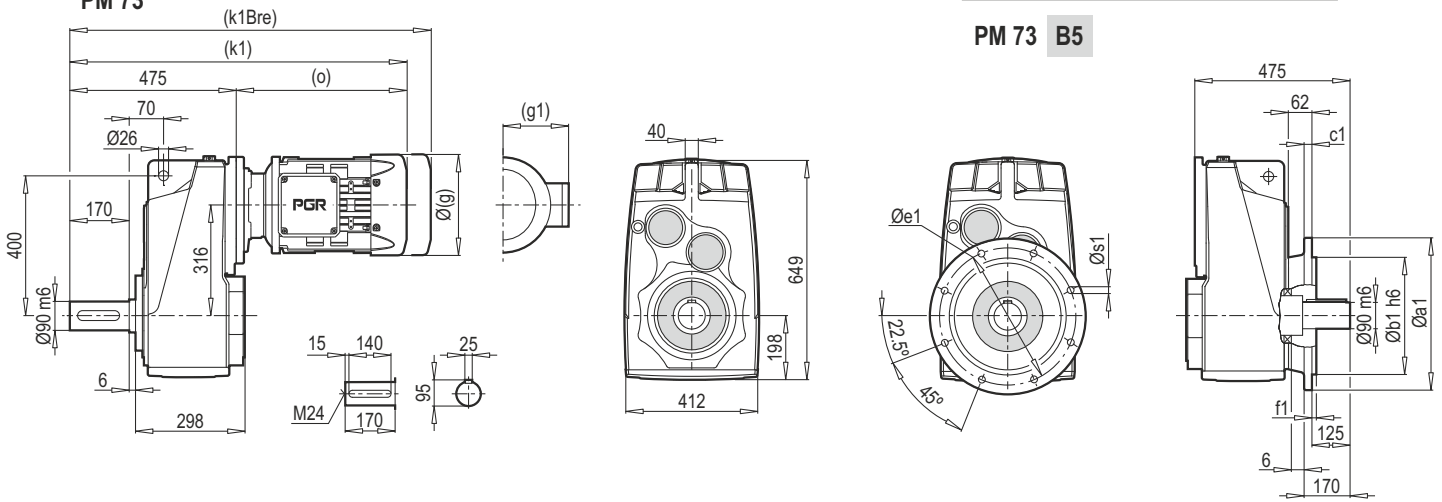
PD 73 B5



a1	b1	c1	e1	f1	s1
450	350	22	400	5	8x18
550	450	28	500	5	8x18

PM 73

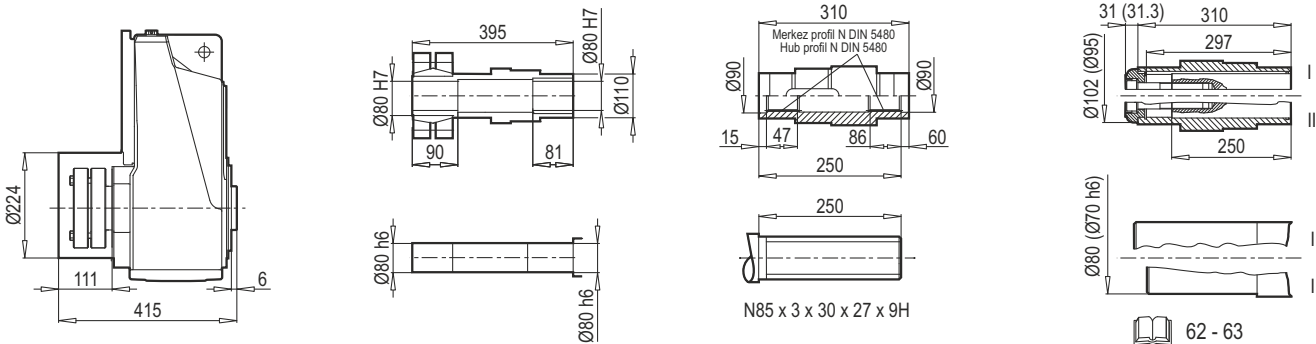
PM 73 B5



PD 73 KS

PD 73 DIN 5480

PD 73 Ç



62 - 63

	100 L	112 M	132 S	132 M	160 M/L	180 M/L	200 L	225 S/M
g	217	232	279	279	323	370	415	456
g1	160	168	182	182	200	248	260	260
k/k1	617/787	665/835	668/838	703/873	769/939	828/998	923/1093	1005/1175
kBre/k1Bre	698/868	745/915	776/946	844/1014	921/1091	990/1160	1070/1240	1177/1347
o	312	360	363	398	464	523	618	700

Not : (...) İşaretili olan ölçüler Motor markasına göre farklılık gösterir / Note : The dimensions which have (...) sign vary depending on the motor brand.