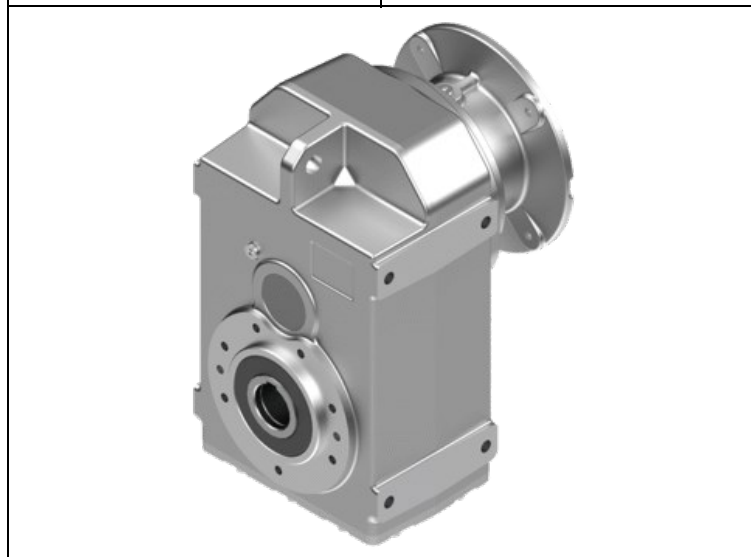


## Parallel Shaft Mounted Gear Units D/M Series

| Technic Selection     |               |
|-----------------------|---------------|
| Type                  | D             |
| Input Option          | Without Motor |
| Assembly Shaft Design | HOLLOW SHAFT  |
| Body Size             | 603           |
| FA Press [N]          | 6000          |
| FA Pull [N]           | 6000          |
| FR [N]                | 11200         |
| Frequency [Hz]        | 50            |
| fs                    | 1.1           |
| iges                  | 70.67         |
| M2 [Nm]               | 2492          |
| M2max [Nm]            | 2700          |
| Motor Efficiency      | IE2           |
| Motor Size            | 132/4P        |
| n1 [rpm]              | 1400          |
| n2 [rpm]              | 19.8          |
| P1 [kW]               | 5.5           |
| P1max [kW]            | 5.96          |

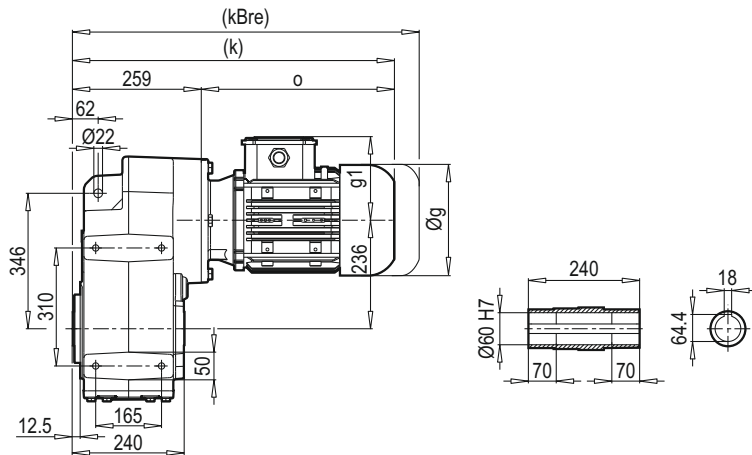


| Variation             |                  |
|-----------------------|------------------|
| Input Connection Type | PAM              |
| Input Backstop Status | Without Backstop |
| Input Connection Size | PAM-132-B5       |
| Output Shaft Diameter | ØD=Ø60H7[mm]     |
| Mounting Position     | M1               |

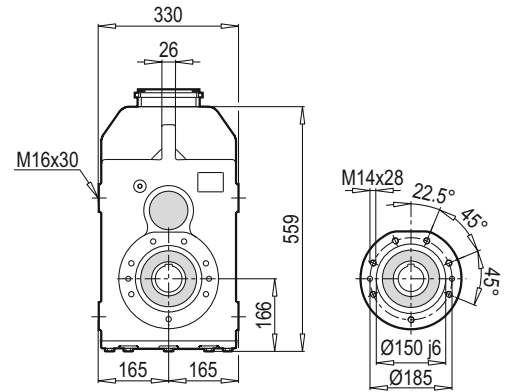
| Accessory      |    |
|----------------|----|
| Accessory Type | LT |

| Option                    |                    |
|---------------------------|--------------------|
| Oil Status                | Exist              |
| Oil Type                  | Mineral ISO VG 220 |
| Vent Plug                 | Standard           |
| Oil Indicator Plug        | None               |
| Product Label             | Standard           |
| Color                     | RAL 7000           |
| Montage Position Status   | Standard           |
| Amount Of Oil [Liter]     | 15,6               |
| Case Material             | GGG-40             |
| Reinforced Bearing Status | None               |
| Output Oil Seal Type      | NBR                |
| Output Bearing Quality    | Standard           |

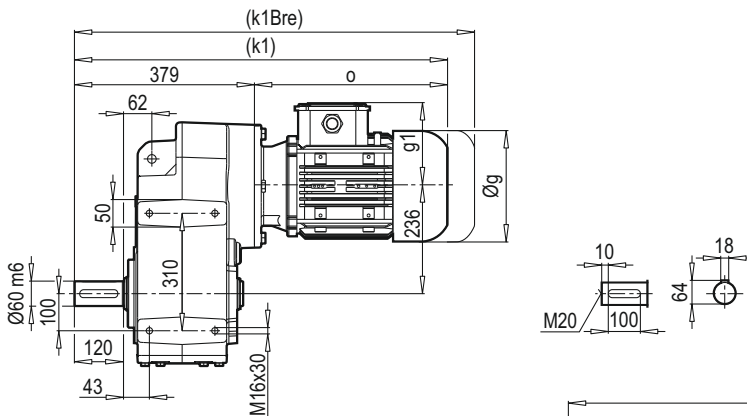
**D 602-603**



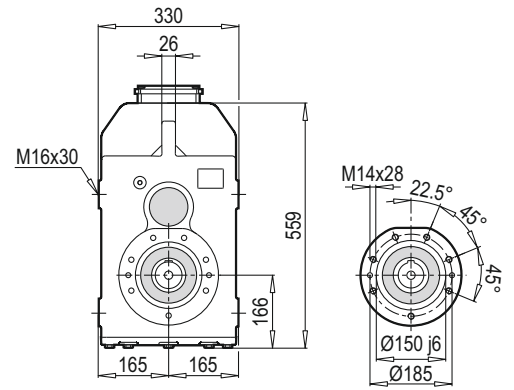
**D 602-603...B14**



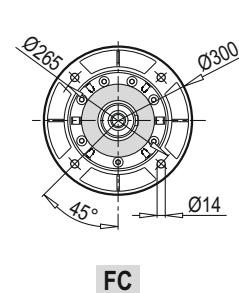
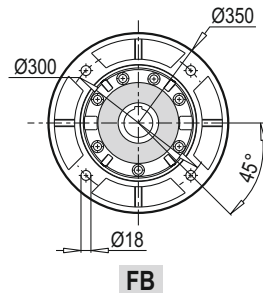
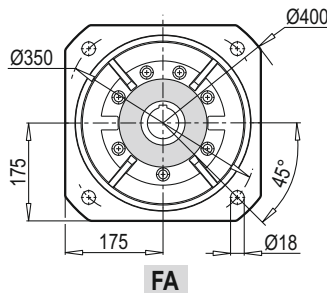
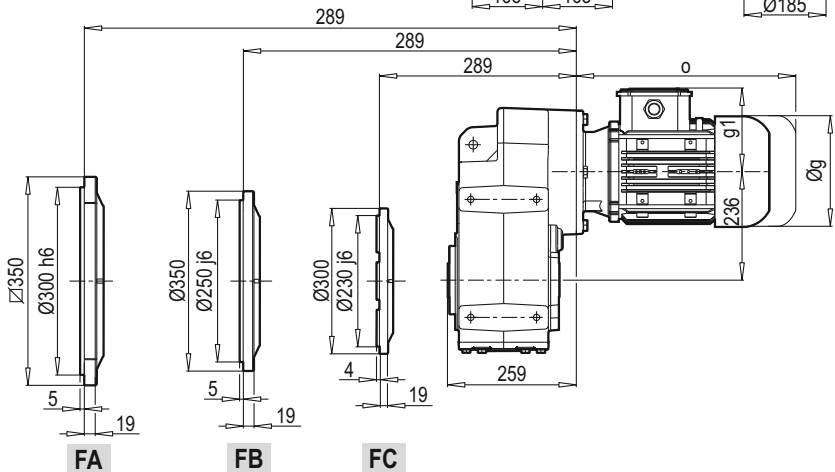
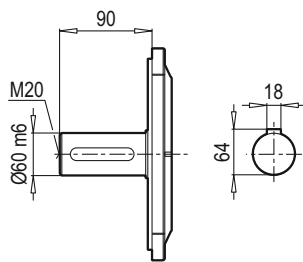
**M 602-603**



**M 602-603...B14**



**D/M 602-603...B5**



|                   | 80M     | 90S     | 90L     | 100L    | 112M    | 132S    | 132M    | 160M/L   | 180M/L   | 200L      |
|-------------------|---------|---------|---------|---------|---------|---------|---------|----------|----------|-----------|
| <b>g</b>          | 159     | 193     | 193     | 217     | 232     | 279     | 279     | 323      | 370      | 415       |
| <b>g1</b>         | 127     | 151     | 151     | 160     | 168     | 182     | 182     | 200      | 248      | 260       |
| <b>k/k1</b>       | 517/637 | 542/662 | 562/682 | 585/705 | 639/759 | 645/765 | 680/800 | 767/887  | 832/952  | 869/989   |
| <b>kBre/k1Bre</b> | 579/699 | 615/735 | 635/755 | 666/786 | 719/839 | 753/873 | 821/941 | 919/1039 | 994/1114 | 1016/1136 |
| <b>o</b>          | 258     | 283     | 303     | 326     | 380     | 386     | 421     | 508      | 573      | 610       |

DE ZUBEHÖR

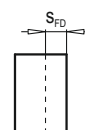
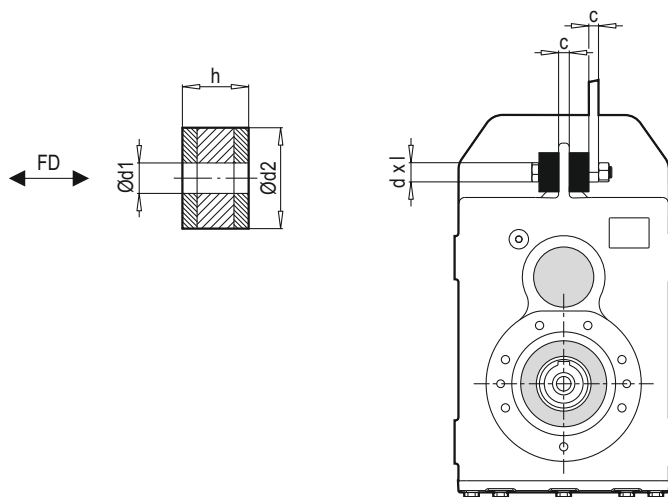
EN ACCESSORIES

IT ACCESSORI

FR ACCESSOIRES

ES ACCESORIOS

Gummipuffer / Rubber Buffer / Paracolpi In Gomma / Tampon De Caoutchouc / Tape De Goma

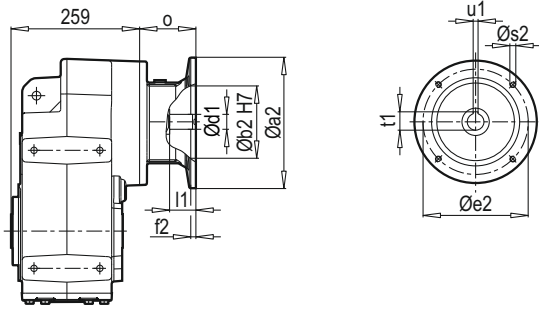


**S<sub>FD</sub>** : Federweg eines Gummipuffers.  
 S<sub>FD</sub> : Shows that width of stretch for one rubber buffer.  
 S<sub>FD</sub> : Allungamento di un gommino  
 S<sub>FD</sub> : Allongement d'un butée en caoutchouc  
 S<sub>FD</sub> : Allungamento di un gommino

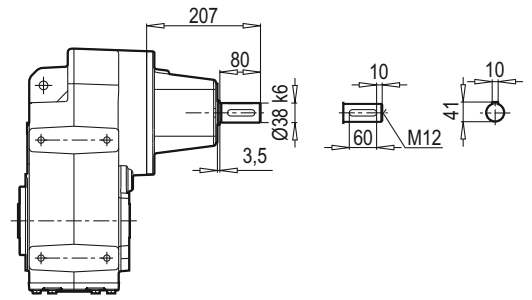
D/M...LT

|                  | Ød1   | Ød2 | h  | c  | d x l   | FD [kN] | S <sub>FD</sub> [mm] |
|------------------|-------|-----|----|----|---------|---------|----------------------|
| D/M 302 - 303 LT | 12.60 | 40  | 15 | 15 | M12x80  | 2.65    | 1.8                  |
| D/M 352 - 353 LT | 12.60 | 40  | 15 | 15 | M12x80  | 2.65    | 1.8                  |
| D/M 402 - 403 LT | 12.60 | 40  | 15 | 20 | M12x90  | 2.65    | 1.8                  |
| D/M 502 - 503 LT | 21.60 | 60  | 30 | 20 | M20x140 | 7.40    | 7.3                  |
| D/M 602 - 603 LT | 21.60 | 60  | 30 | 26 | M20x150 | 8.50    | 8.4                  |
| D/M 702 - 703 LT | 25    | 60  | 40 | 30 | M24x170 | 12.5    | 10                   |
| D/M 902 - 903 LT |       |     |    |    |         |         |                      |

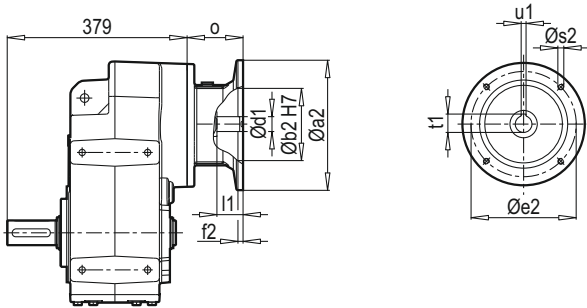
**D 602-603 PAM B5/B14**



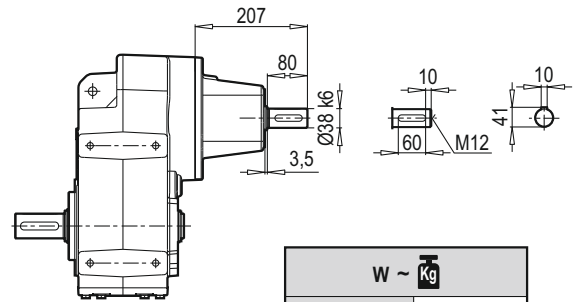
**D 602-603 W**



**M 602-603 PAM B5/B14**

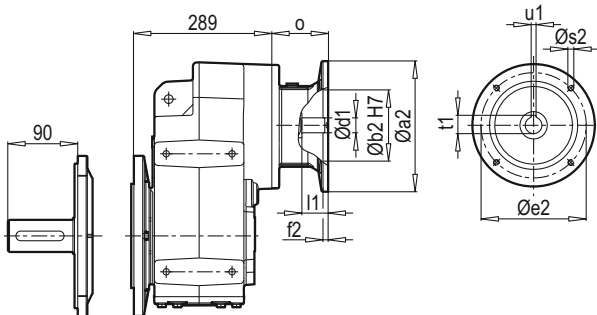


**M 602-603 W**

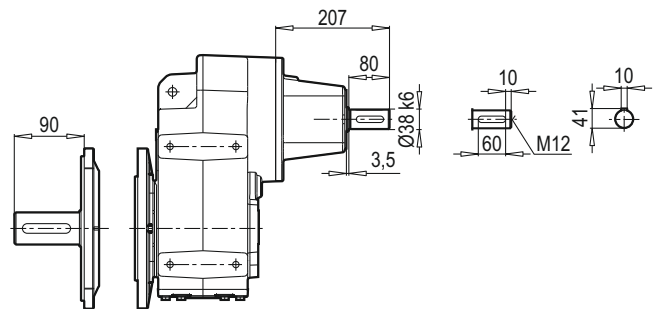


| W ~ Kg        |    |
|---------------|----|
| D/M 602 - 603 | 92 |

**D/M 602-603 B5 PAM B5/B14**



**D/M 602-603 B5 W**



| Typ /<br>Type / Tipo<br>Type / Tipo | PAM B5 | Øa2 | Øb2 | Øe2 | f2  | Øs2 | Ød1 | l1  | t1   | u1 | o   |
|-------------------------------------|--------|-----|-----|-----|-----|-----|-----|-----|------|----|-----|
| <b>D/M<br/>602 - 603</b>            | 80     | 200 | 130 | 165 | 5   | 10  | 19  | 42  | 21.8 | 6  | 61  |
|                                     | 90     | 200 | 130 | 165 | 5   | 10  | 24  | 52  | 27.3 | 8  | 61  |
|                                     | 100    | 250 | 180 | 215 | 5.5 | 12  | 28  | 62  | 31.3 | 8  | 76  |
|                                     | 112    | 250 | 180 | 215 | 5.5 | 12  | 28  | 62  | 31.3 | 8  | 76  |
|                                     | 132    | 300 | 230 | 265 | 5.5 | 12  | 38  | 82  | 41.3 | 10 | 101 |
|                                     | 160    | 350 | 250 | 300 | 7   | 16  | 42  | 112 | 45.3 | 12 | 148 |
|                                     | 180    | 350 | 250 | 300 | 7   | 16  | 48  | 112 | 51.8 | 14 | 148 |
|                                     | 200    | 400 | 300 | 350 | 7   | 16  | 55  | 112 | 59.3 | 16 | 185 |

| ~ Kg   |         |         |
|--------|---------|---------|
| PAM B5 | D/M 602 | D/M 603 |
| 80     | 83      | 83      |
| 90     | 83      | 83      |
| 100    | 87      | 87      |
| 112    | 87      | 87      |
| 132    | 90      | 90      |
| 160    | 96      | -       |
| 180    | 96      | -       |
| 200    | 112     | -       |

| Typ /<br>Type / Tipo<br>Type / Tipo | PAM B14 | Øa2 | Øb2 | Øe2 | f2  | Øs2 | Ød1 | l1 | t1   | u1 | o   |
|-------------------------------------|---------|-----|-----|-----|-----|-----|-----|----|------|----|-----|
| <b>D/M<br/>602 - 603</b>            | 80      | 120 | 80  | 100 | 3   | 7   | 19  | 42 | 21.8 | 6  | 61  |
|                                     | 90      | 140 | 95  | 115 | 3   | 9   | 24  | 52 | 27.3 | 8  | 61  |
|                                     | 100     | 160 | 110 | 130 | 3.5 | 9   | 28  | 62 | 31.3 | 8  | 76  |
|                                     | 112     | 160 | 110 | 130 | 3.5 | 9   | 28  | 62 | 31.3 | 8  | 76  |
|                                     | 132     | 200 | 130 | 165 | 3.5 | 11  | 38  | 82 | 41.3 | 10 | 101 |

| ~ Kg    |               |
|---------|---------------|
| PAM B14 | D/M 602 - 603 |
| 80      | 80            |
| 90      | 80            |
| 100     | 82            |
| 112     | 82            |
| 132     | 88            |