

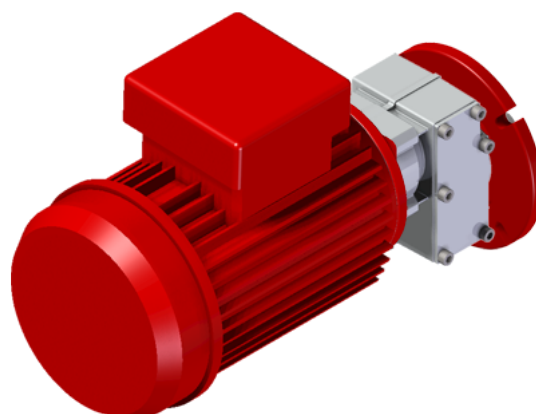
# M511A-F05G3-TB8-

Price

Lead time

## Configuration

Type:	<b>M</b>
Size:	<b>511A</b>
Input:	<b>90 B14 ø140</b>
Output shaft/bore:	<b>ø28</b>
Mounting:	<b>-F</b>
Output flange:	<b>ø160</b>
Mounting position:	<b>B8</b>
Input bore:	<b>-</b>
Coupling:	<b>-</b>
Terminal box position:	<b>B</b>



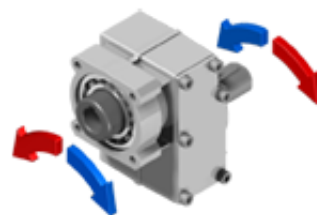
## Technical data

Input rpm ( $n_1$ ):	<b>1400 min<sup>-1</sup></b>
Output rpm ( $n_2$ ):	<b>265.52 min<sup>-1</sup></b>
Ratio (i):	<b>5.27 (05)</b>
Nominal power ( $P_{1R}$ ):	<b>3.12 kW</b>
Nominal torque ( $M_{2R}$ ):	<b>110 Nm</b>
Dynamic efficiency (RD):	<b>98%</b>

## Selection

Motor power ( $P_{1M}$ ):	<b>1.50 kW</b>
Output torque ( $M_{2M}$ ):	<b>53 Nm</b>
Service factor (f.s.):	<b>2.1</b>

## Direction of rotation



## Lubrication

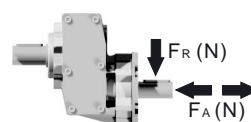
Oil quantity:	<b>0.29l</b>
AGIP:	<b>Telium VSF 320</b>
SHELL:	<b>Omala S4 WE 320</b>

## On our website

Features	Atex certification
How to order	Installation check list
Dimension	Spare parts list
Accessories/options	Complete catalogue
Electric motors	Selection by power (xls)
Selection guide - fs	
Mounting pos. - lubricant	
Calc. the overhung load	

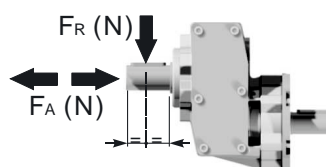
## Axial and radial loads

Input shaft



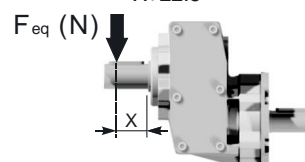
$n_2$ (min <sup>-1</sup> )	FA (N)	FR (N)
<b>1400</b>	400	2000
<b>900</b>	440	2200

Output shaft



$n_2$ (min <sup>-1</sup> )	FA (N)	FR (N)
<b>700</b>	294	1470
<b>600</b>	320	1600
<b>400</b>	370	1850
<b>300</b>	400	2000
<b>200</b>	460	2300
<b>140</b>	510	2550

$$F_{eq} = F_R \cdot \frac{52.5}{X+22.5}$$

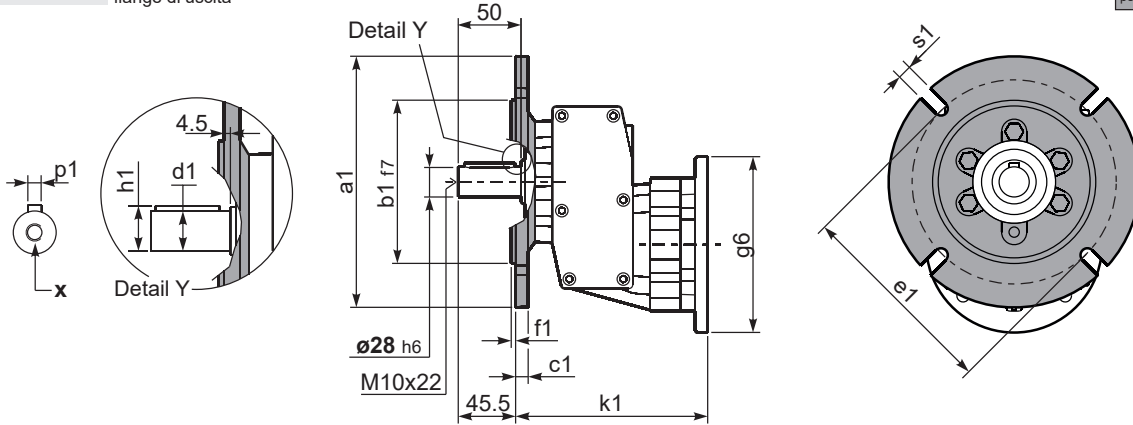


## Note

3D dimensions on the Web

Gearbox weight **5.00 kg**  
peso riduttore

**P511-F...** Output flanges  
flange di uscita



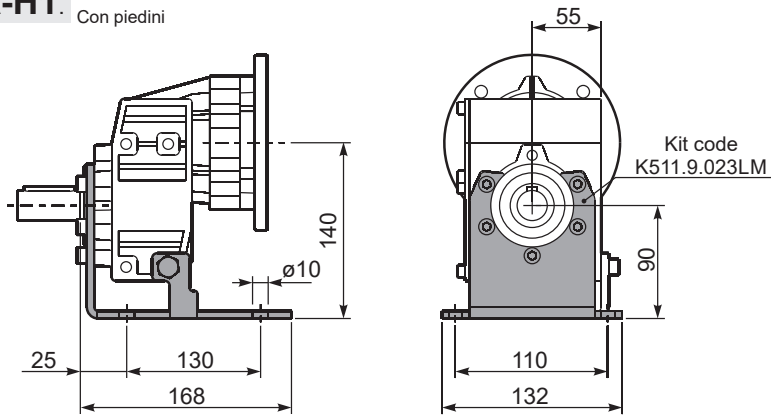
\*Available output shaft / Albero di uscita

	Shaft - d1	p1	h1	x
Standard	ø 28x50	8	31	M10x22
On request A richiesta	ø 24x50	8	27	M8x19

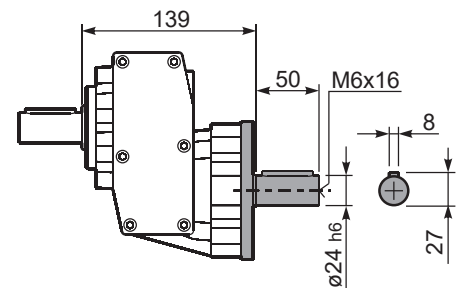
Available output flanges / flange di uscita

a1 ø	b1	c1	e1	f1	s1	kit code
120	80	10	100	3	7	KC40.9.010
140	95	10	115	3	9	KC40.9.011
160	110	10	130	3.5	9	KC40.9.012
200	130	11	165	3.5	11	KC40.9.013
250	180	11.5	215	3.5	14	KC40.9.014

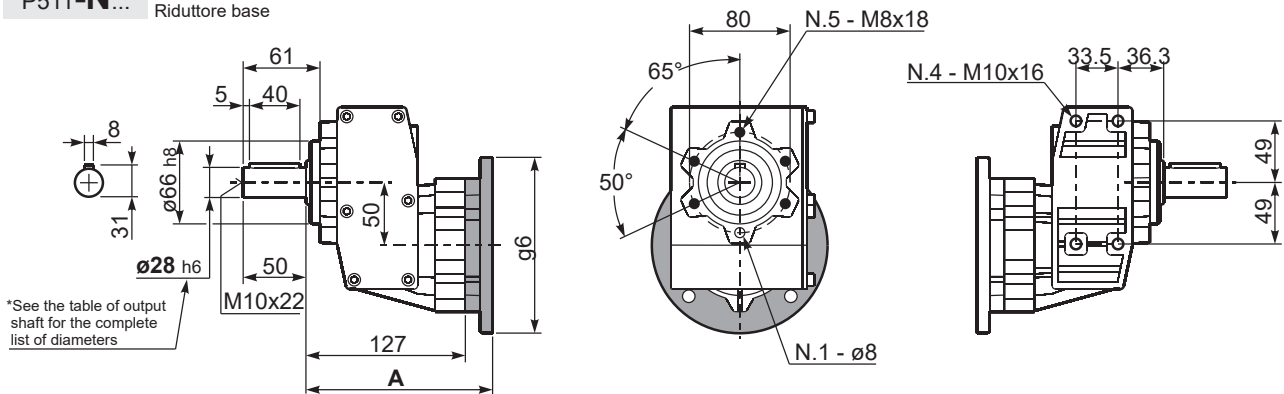
**P511A-H1.** With feet  
Con piedini



**R511A-N...** Input Shaft  
Albero in entrata



**P511-N...** Basic gearbox  
Riduttore base



B5 Motor Flanges	A	g6	k1	kit code
71 B5	145.5	160	150	K023.4.041
80/90 B5	147.5	200	152	K023.4.042
100/112 B5	156.5	250	161	K023.4.043
132 B5	174.5	300	179	KC50.4.043

B14 Motor Flanges	A	g6	k1	kit code
80 B14	147.5	120	152	K085.4.046
90 B14	147.5	140	152	K085.4.045
100/112 B14	156.5	160	161	K085.4.047
132 B14	174.5	200	179	KC50.4.041