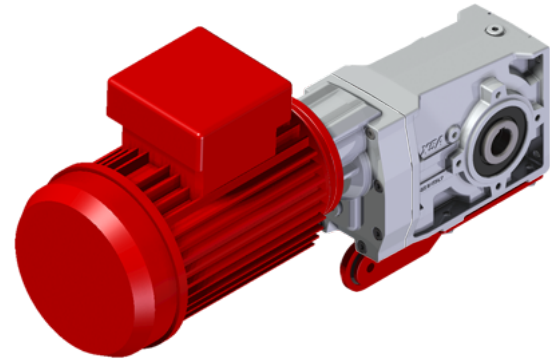


Price

Lead time

Configuration

Type:	M
Size:	X83C
Input:	100-112 B14 ø160
Output shaft/bore:	ø40
Mounting:	BR
Mounting position:	B3
Input bore:	-
Coupling:	-
Terminal box position:	B



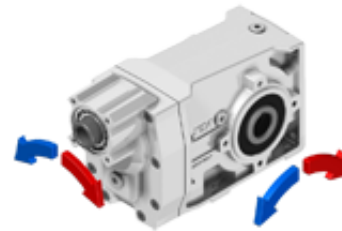
Technical data

Input rpm (n_1):	1400 min⁻¹
Output rpm (n_2):	57.57 min⁻¹
Ratio (i):	24.32 (06)
Nominal power (P_{1R}):	6.41 kW
Nominal torque (M_{2R}):	1000 Nm
Dynamic efficiency (RD):	94%

Selection

Motor power (P_{1M}):	4.00 kW
Output torque (M_{2M}):	611 Nm
Service factor (f.s.):	1.6

Direction of rotation



Lubrication

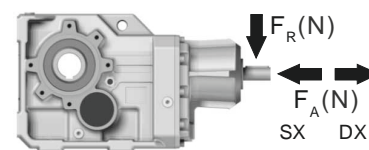
Oil quantity:	2.80l
AGIP:	Blasia 460

On our website

Features	Atex certification
How to order	Installation check list
Dimension	Spare parts list
Accessories/options	Complete catalogue
Electric motors	Selection by power (xls)
Selection guide - fs	
Mounting pos. - lubricant	
Calc. the overhung load	

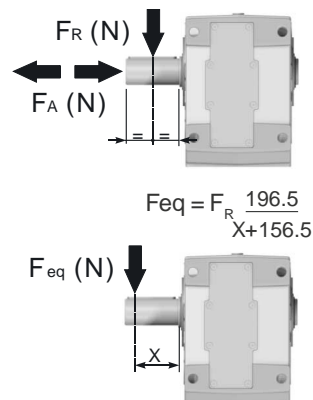
Axial and radial loads

Input shaft



n_2 (min ⁻¹)	FA (N)	FR (N)
1400	450	2250
900	500	2500
500	600	3000

Output shaft



n_2 (min ⁻¹)	FA (N)	FR (N)
300	1700	8500
250	1760	8800
200	1800	9000
140	1860	9300
120	1900	9500
85	1960	9800
70	2160	10800
40	2300	11500
15	2400	12000

Note

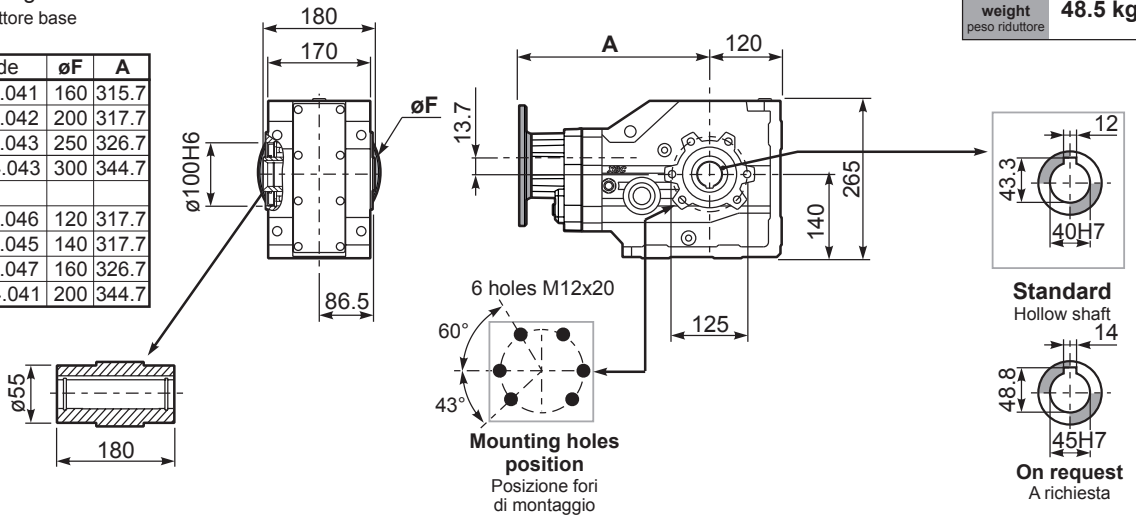
*On request reinforced bearings to increase loads

3D dimensions on the Web

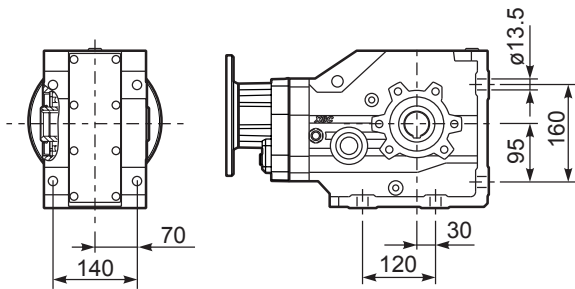
Gearbox weight **48.5 kg**
peso riduttore

PX83CC... Basic gearbox
Riduttore base

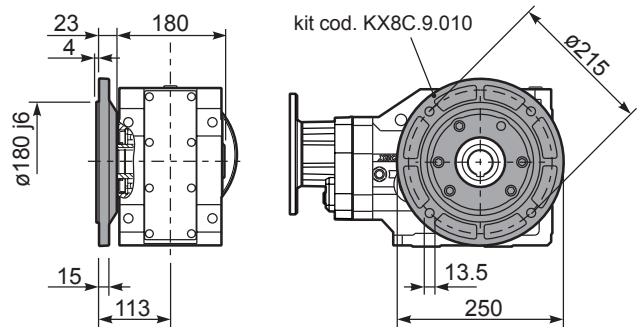
M. flanges	Kit code	øF	A
71B5	K023.4.041	160	315.7
80/90B5	K023.4.042	200	317.7
100/112B5	K023.4.043	250	326.7
132B5	KC50.4.043	300	344.7
80B14	K085.4.046	120	317.7
90B14	K085.4.045	140	317.7
100/112B14	K085.4.047	160	326.7
132B14	KC50.4.041	200	344.7



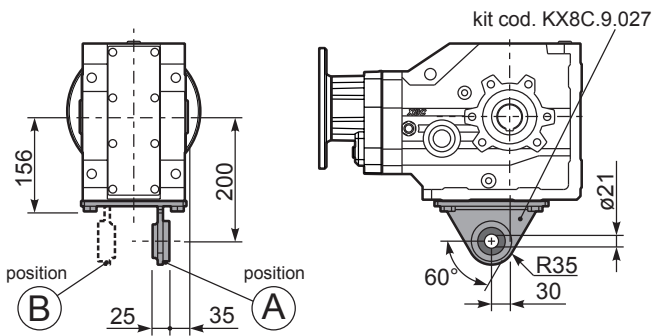
PX83C...FB.. Feet
Piedini



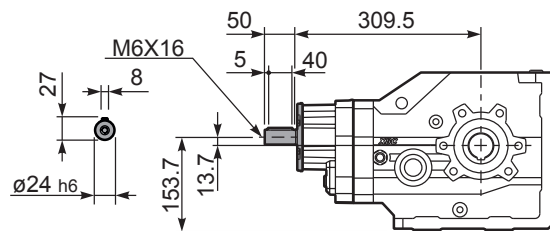
PX83C...-F4.. Output flange
Flangia uscita



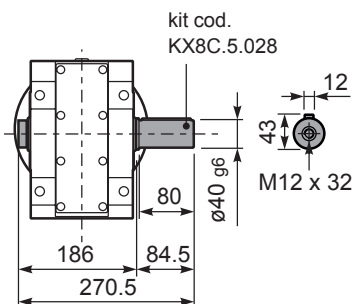
PX83C...BR.. Reaction Arm
Braccio di reazione



RX83C... Input shaft
Albero in entrata



PX83CA... Single shaft
Albero lento semplice



PX83CB... Double shaft
Albero lento bisp.

