

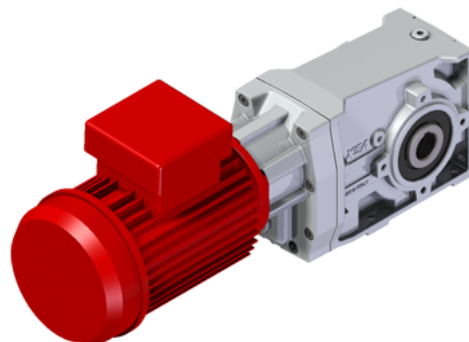
MX52AC11-DFBN-RV5-

Price

Lead time

Configuration

Type:	M
Size:	X52A
Input:	80 B14 ø120
Output shaft/bore:	ø30
Mounting:	FB
Mounting position:	V5
Input bore:	-
Coupling:	-
Terminal box position:	B



Technical data

Input rpm (n_1):	1400 min⁻¹
Output rpm (n_2):	37.27 min⁻¹
Ratio (i):	37.57 (11)
Nominal power (P_{1R}):	1.02 kW
Nominal torque (M_{2R}):	250 Nm
Dynamic efficiency (RD):	96%

Selection

Motor power (P_{1M}):	0.75 kW
Output torque (M_{2M}):	184 Nm
Service factor (f.s.):	1.4

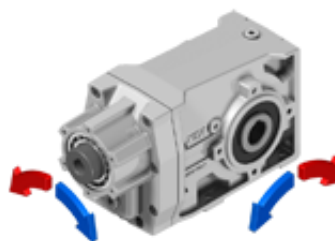
Lubrication

Oil quantity:	1.95l
AGIP:	Telium VSF 320
SHELL:	Omala S4 WE 320

On our website

Features	Atex certification
How to order	Installation check list
Dimension	Spare parts list
Accessories/options	Complete catalogue
Electric motors	Selection by power (xls)
Selection guide - fs	
Mounting pos. - lubricant	
Calc. the overhung load	

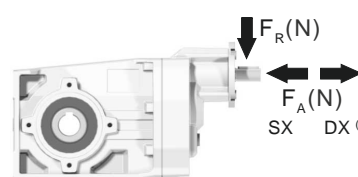
Direction of rotation



Note

Axial and radial loads

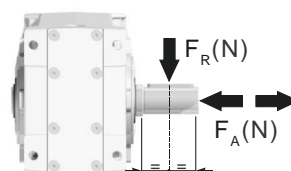
Input shaft



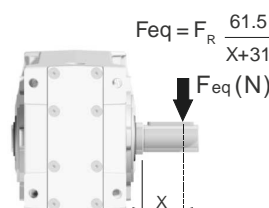
n_2 (min ⁻¹)	FA (N)	FR (N)
1400	450	2250
900	500	2500
500	600	3000

*Strong axial loads in the DX direction are not allowed

Output shaft



n_2 (min ⁻¹)	FA (N)	FR (N)
250	600	3000
150	700	3500
100	800	4000
75	820	4100
50	960	4800
25	1350	6750
15	1660	8300



*On request taper roller bearings to increase loads

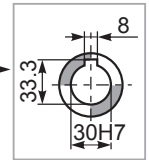
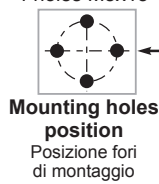
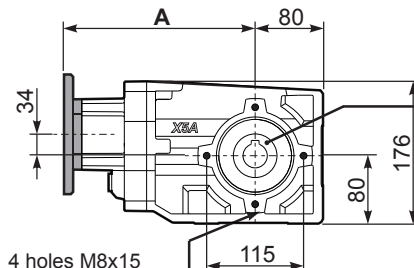
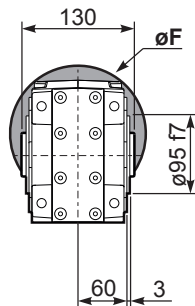
Angletech Gear 250Nm X52A

3D dimensions on the Web

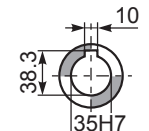
PX52AC... Basic Gearbox
Riduttore base

Gearbox weight
peso riduttore **12.80 kg**

M. flanges	Kit code	øF	A
71B5	K023.4.041	160	234
80/90B5	K023.4.042	200	236
100/112B5	K023.4.043	250	245
80B14	K085.4.046	120	236
90B14	K085.4.045	140	236
100/112B14	K085.4.047	160	245

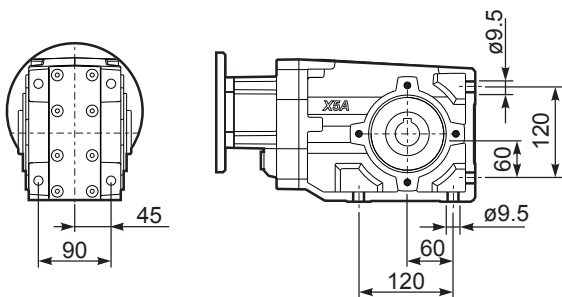


Standard
Hollow shaft

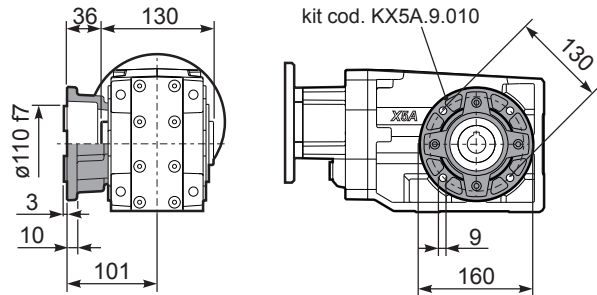


On request
A richiesta

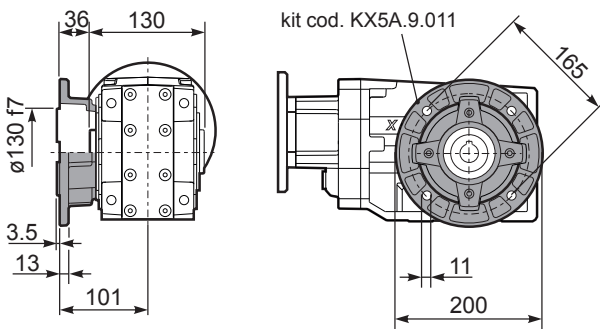
PX52A...FB.. Feet
Piedini



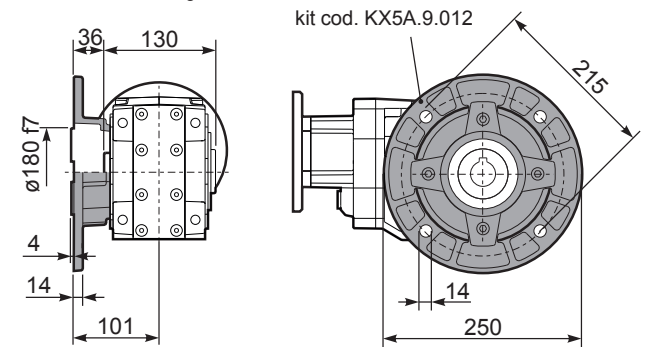
PX52A...-F2.. Output flange
Flangia uscita



PX52A...-F3.. Output flange
Flangia uscita

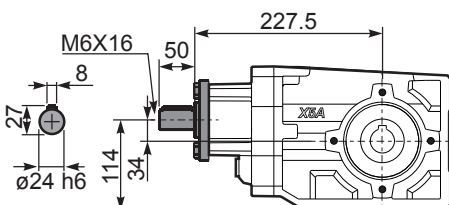


PX52A...-F4.. Output flange
Flangia uscita

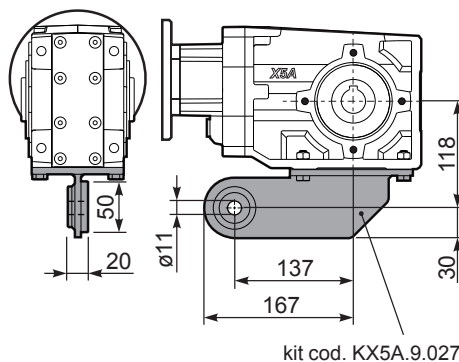


8

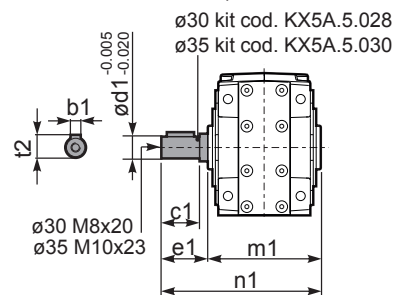
RX52A... Input shaft
Albero in entrata



PX52A...BR.. Reaction Arm
Braccio di reazione



PX52AA.. Single output shaft
Albero semplice in uscita



	b1	c1	d1	e1	m1	n1	t2
ø30	8	60	30	68	134	202	33
ø35	10	60	35	73.5	141	214.5	38