

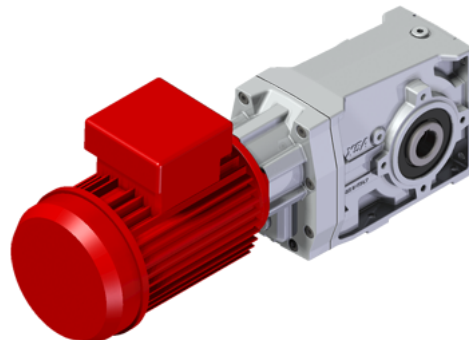
MX32SC01-BFBN-BB3-

Price

Lead time

Configuration

Type:	M
Size:	X32S
Input:	63 B5 ø140
Output shaft/bore:	ø20
Mounting:	FB
Mounting position:	B3
Input bore:	-
Coupling:	-
Terminal box position:	B



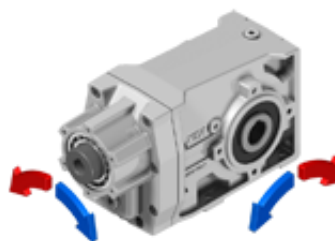
Technical data

Input rpm (n_1):	1400 min⁻¹
Output rpm (n_2):	190.91 min⁻¹
Ratio (i):	7.33 (01)
Nominal power (P_{1R}):	1.46 kW
Nominal torque (M_{2R}):	70 Nm
Dynamic efficiency (RD):	96%

Selection

Motor power (P_{1M}):	0.18 kW
Output torque (M_{2M}):	9 Nm
Service factor (f.s.):	7.6

Direction of rotation



Lubrication

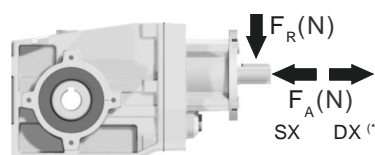
Oil quantity:	0.40l
AGIP:	Telium VSF 320
SHELL:	Omala S4 WE 320

On our website

Features	Atex certification
How to order	Installation check list
Dimension	Spare parts list
Accessories/options	Complete catalogue
Electric motors	Selection by power (xls)
Selection guide - fs	
Mounting pos. - lubricant	
Calc. the overhung load	

Axial and radial loads

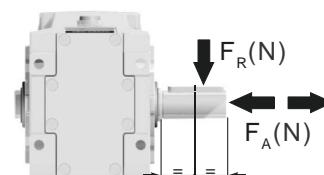
Input shaft



n_2 (min ⁻¹)	FA (N)	FR (N)
1400	240	1200
900	280	1400
500	340	1700

*Strong axial loads in the DX direction are not allowed

Output shaft

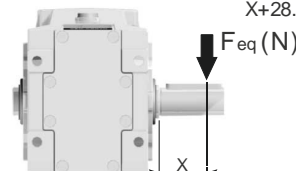


n_2 (min ⁻¹)	FA (N)	FR (N)
250	400	2000
150	450	2250
100	500	2500
75	560	2800
50	560	2800
25	560	2800
15	560	2800

*On request taper roller bearings to increase loads

Note

$$F_{eq} = F_R \frac{47.5}{X+28.5}$$

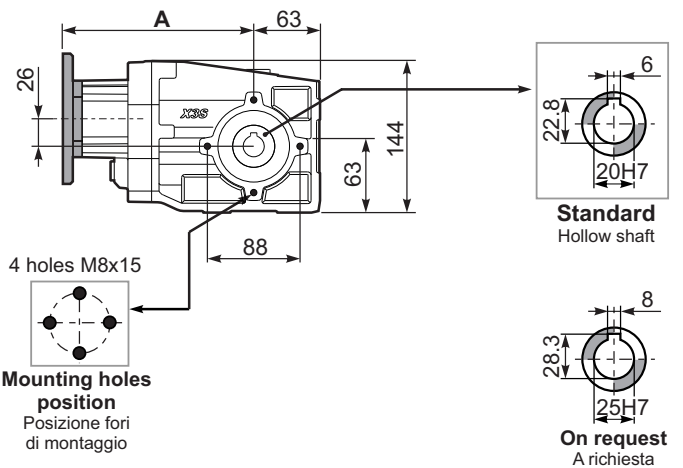
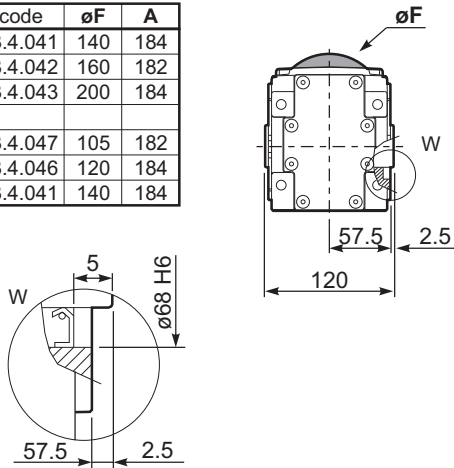


3D dimensions on the Web

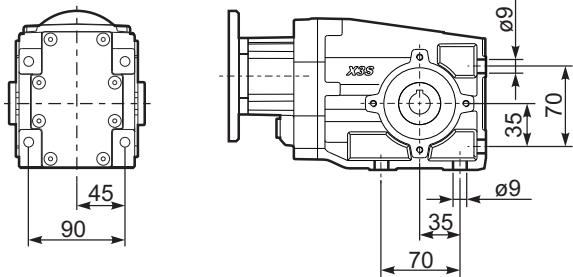
PX32SC... Basic Gearbox
Riduttore base

Gearbox weight
peso riduttore **6.30 kg**

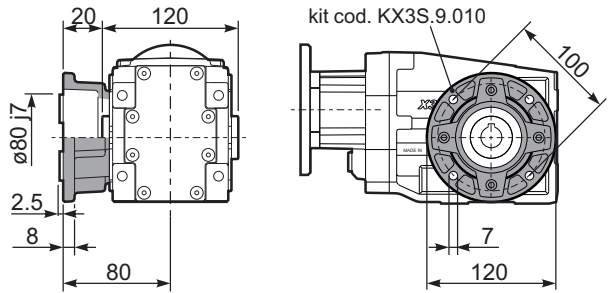
M. flanges	Kit code	øF	A
63B5	K063.4.041	140	184
71B5	K063.4.042	160	182
80/90B5	K063.4.043	200	184
71B14	K063.4.047	105	182
80B14	K063.4.046	120	184
90B14	K063.4.041	140	184



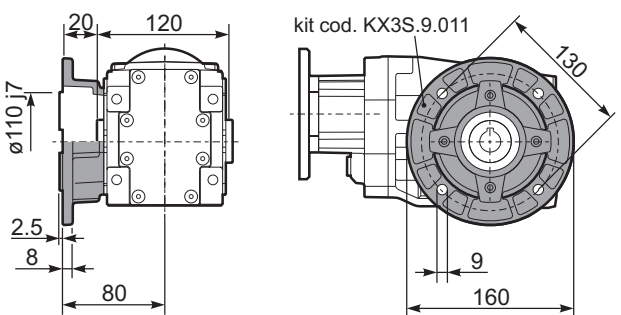
PX32S...FB.. Feet
Piedini



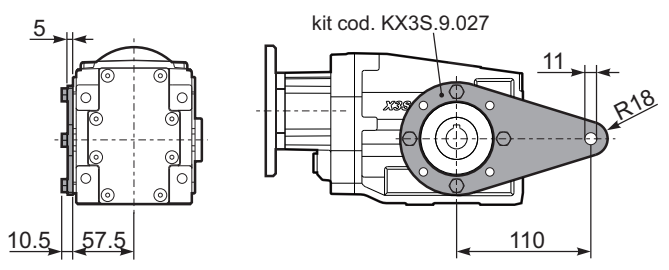
PX32S...-F1.. Output flange
Flangia uscita



PX32S...-F2.. Output flange
Flangia uscita

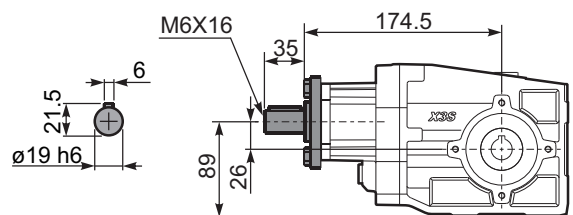


PX32S...BR.. Reaction Arm
Braccio di reazione

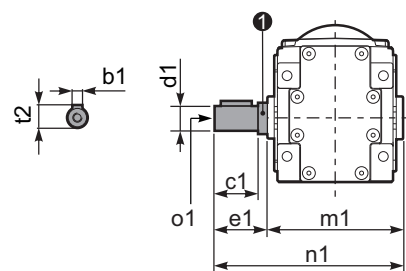


8

RX32S... Input shaft
Albero in entrata



PX32SA.. Single output shaft
Albero semplice in uscita



d1	b1	c1	e1	m1	n1	t2	o1	1 kit code
ø20 k6	6	37.5	40	120	160	22.5	M8x20	KX2S.5.028
ø25 ^{-0.005} _{-0.020}	8	60	63.2	126.8	190	28	M8x20	K063.5.028