

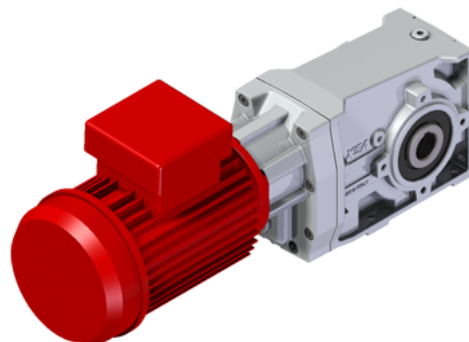
MX22SI02-BFBN-PB3-

Price

Lead time

Configuration

Type:	M
Size:	X22S
Input:	63 B14 ø90
Output shaft/bore:	ø20
Mounting:	FB
Mounting position:	B3
Input bore:	-
Coupling:	-
Terminal box position:	B



Technical data

Input rpm (n_1):	1400 min⁻¹
Output rpm (n_2):	189.24 min⁻¹
Ratio (i):	7.40 (02)
Nominal power (P_{1R}):	0.62 kW
Nominal torque (M_{2R}):	30 Nm
Dynamic efficiency (RD):	96%

Selection

Motor power (P_{1M}):	0.18 kW
Output torque (M_{2M}):	9 Nm
Service factor (f.s.):	3.2

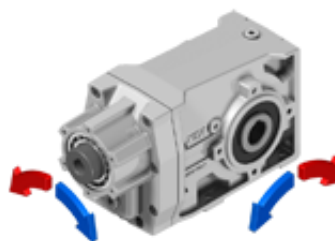
Lubrication

Oil quantity:	0.25l
AGIP:	Telium VSF 320
SHELL:	Omala S4 WE 320

On our website

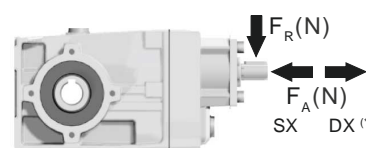
Features	Atex certification
How to order	Installation check list
Dimension	Spare parts list
Accessories/options	Complete catalogue
Electric motors	Selection by power (xls)
Selection guide - fs	
Mounting pos. - lubricant	
Calc. the overhung load	

Direction of rotation



Axial and radial loads

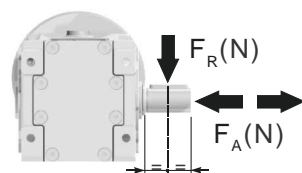
Input shaft



n_2 (min ⁻¹)	FA (N)	FR (N)
1400	140	700
900	160	800
500	190	950

*Strong axial loads in the DX direction are not allowed

Output shaft

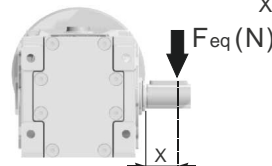


n_2 (min ⁻¹)	FA (N)	FR (N)
400	360	1800
250	380	1900
150	420	2100
100	440	2200
75	440	2200
50	440	2200
25	440	2200
15	440	2200

*On request taper roller bearings to increase loads

Note

$$F_{eq} = F_R \frac{42}{X+23}$$

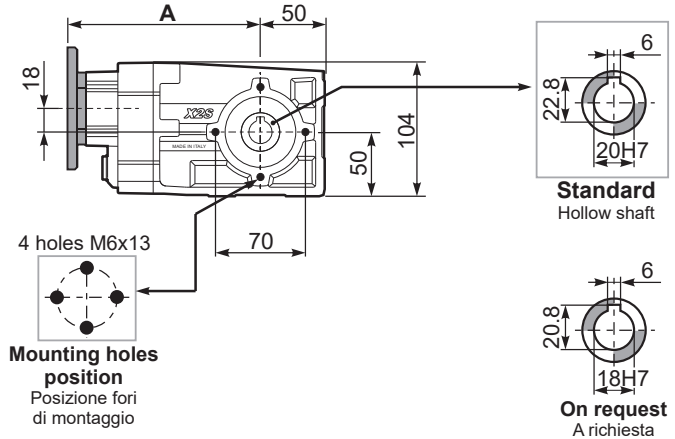
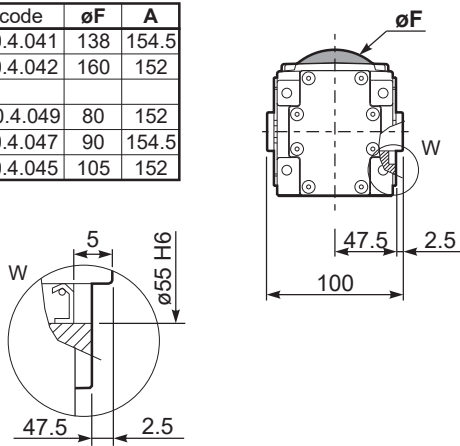


3D dimensions on the Web

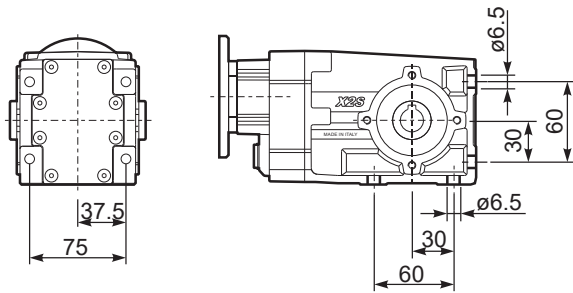
PX22SC... Basic Gearbox
 Riduttore base

Gearbox weight 3.70 kg
 peso riduttore

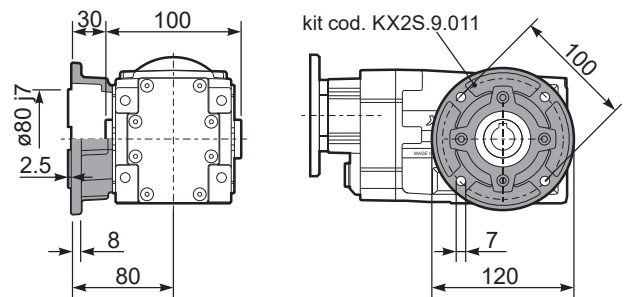
M. flanges	Kit code	øF	A
63B5	K050.4.041	138	154.5
71B5	K050.4.042	160	152
56B14	KC40.4.049	80	152
63B14	K050.4.047	90	154.5
71B14	K050.4.045	105	152



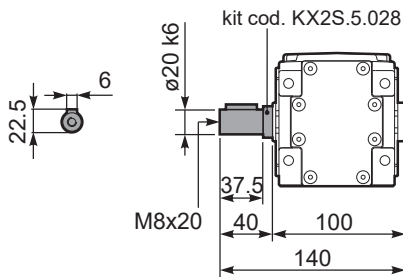
PX22S...FB.. Feet
 Piedini



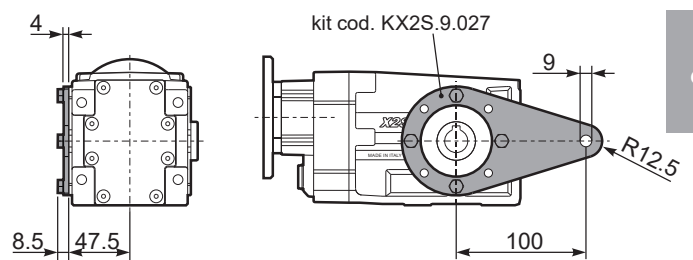
PX22S...-F1.. Output flange
 Flangia uscita



PX22SA.. Single output shaft
 Albero semplice in uscita



PX22S...BR.. Reaction Arm
 Braccio di reazione



8

RX22S.. Input shaft
 Albero in entrata

