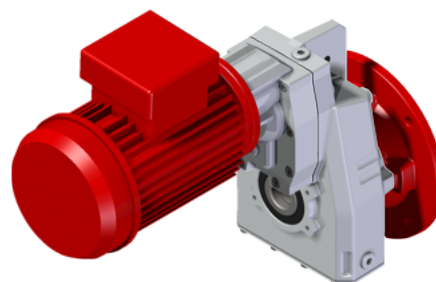


Price

Lead time

## Configuration

Type:	<b>M</b>
Size:	<b>FA43</b>
Input:	<b>63 B14 ø90</b>
Output shaft/bore:	<b>ø35</b>
Mounting:	<b>-F</b>
Output flange:	<b>ø160</b>
Mounting position:	<b>H4</b>
Input bore:	<b>-</b>
Coupling:	<b>-</b>
Terminal box position:	<b>B</b>



## Technical data

Input rpm ( $n_1$ ):	<b>1400 min<sup>-1</sup></b>
Output rpm ( $n_2$ ):	<b>6.54 min<sup>-1</sup></b>
Ratio (i):	<b>214.15 (10)</b>
Nominal power ( $P_{1R}$ ):	<b>0.23 kW</b>
Nominal torque ( $M_{2R}$ ):	<b>320 Nm</b>
Dynamic efficiency (RD):	<b>94%</b>

## Selection

Motor power ( $P_{1M}$ ):	<b>0.12 kW</b>
Output torque ( $M_{2M}$ ):	<b>169 Nm</b>
Service factor (f.s.):	<b>1.9</b>

## Lubrication

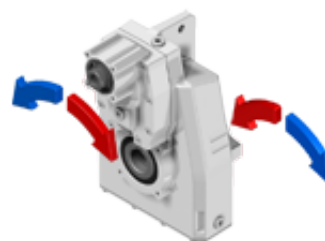
Oil quantity:	<b>0.70l</b>
AGIP:	<b>Telium VSF 320</b>
SHELL:	<b>Omala S4 WE 320</b>

## On our website

Features	Atex certification
How to order	Installation check list
Dimension	Spare parts list
Accessories/options	Complete catalogue
Electric motors	Selection by power (xls)
Selection guide - fs	
Mounting pos. - lubricant	
Calc. the overhung load	

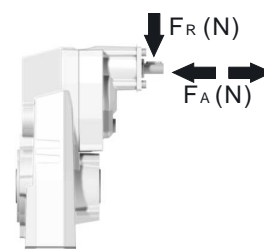
## Note

## Direction of rotation



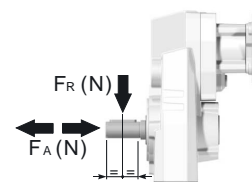
## Axial and radial loads

Input shaft

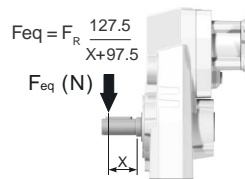


$n_2$ (min <sup>-1</sup> )	FA (N)	FR (N)
<b>1400</b>	140	700
<b>900</b>	160	800
<b>500</b>	190	950

Output shaft



$n_2$ (min <sup>-1</sup> )	FA (N)	FR (N)
<b>300</b>	300	1500
<b>250</b>	320	1600
<b>200</b>	350	1750
<b>140</b>	390	1950
<b>120</b>	410	2050
<b>85</b>	460	2300
<b>70</b>	490	2450
<b>40</b>	590	2950
<b>15</b>	800	4000



$$F_{eq} = F_R \frac{127.5}{X+97.5}$$

$F_{eq}$  (N)

\*On request reinforced bearings to increase loads

Compact gear **320Nm** **FA43**

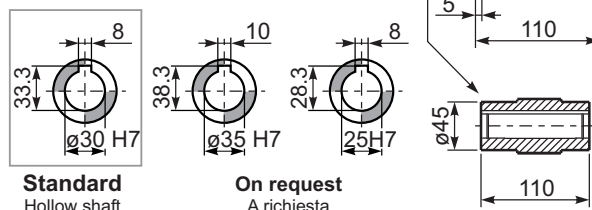
3D dimensions on the Web

Gearbox weight **8.9 kg**  
peso riduttore

**PFA43C...** Basic gearbox  
Riduttore base

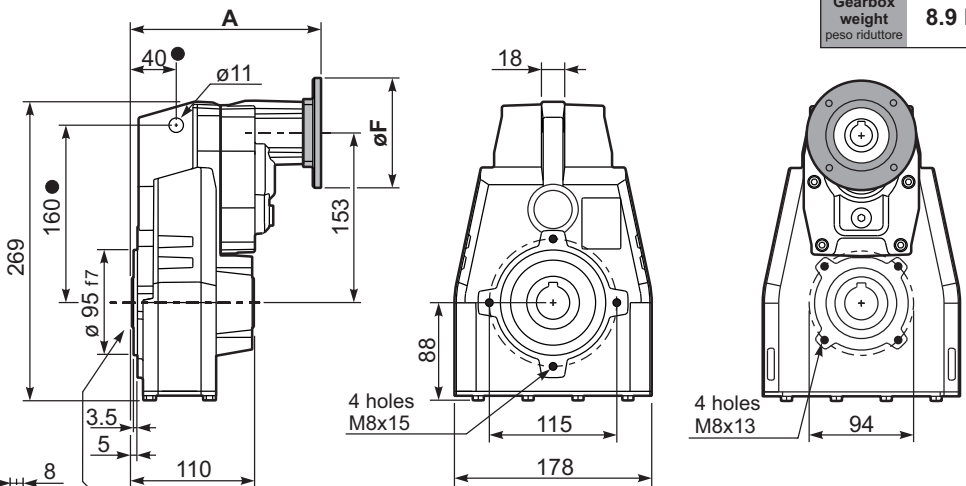
M. flanges	Kit code	øF	A
63B5	K050.4.041	138	175
71B5	K050.4.042	160	172.5
56B14	KC40.4.049	80	172.5
63B14	K050.4.047	90	175
71B14	K050.4.045	105	172.5

• Available torque arms, see our web site  
Bracci di reazione disponibili, consulta il nostro sito web



**Standard**  
Hollow shaft

**On request**  
A richiesta

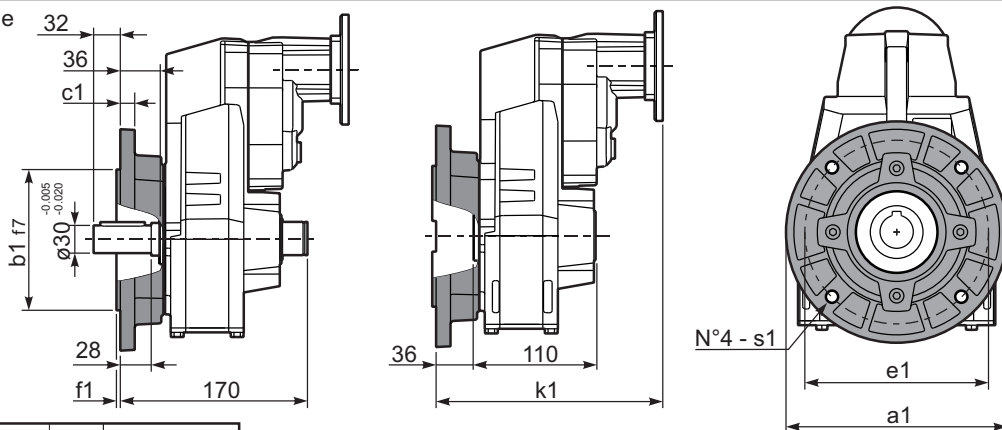


**PFA43...-F...** Output flange  
Flangia uscita

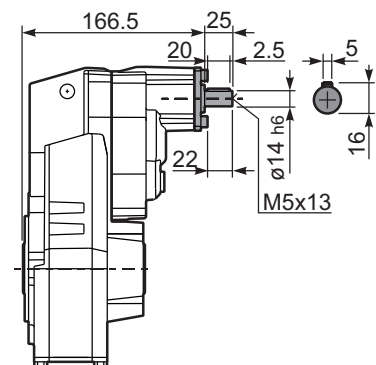
Motor Flange	k1
63B5	211
71B5	208.5
56B14	208.5
63B14	211
71B14	208.5

**Available output flanges**  
Flange di uscita

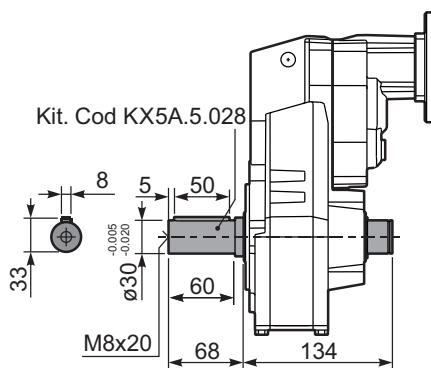
a1 ø	b1	c1	e1	f1	s1	Kit code
160	110	10	130	3	9	KX5A.9.010
200	130	13	165	3.5	11	KX5A.9.011
250	180	14	215	4	14	KX5A.9.012



**RFA43C...** Input Shaft  
Albero in entrata



**PFA43 A...** Single output shaft  
Albero uscita semplice



**PFA43D...** Shrink disk  
Calettatore

