

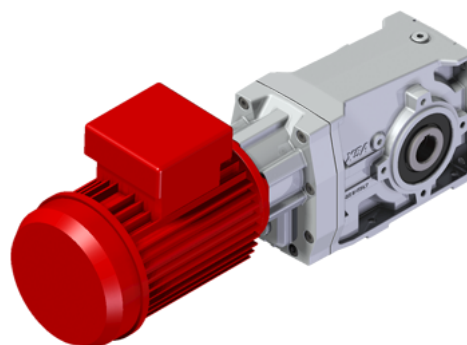
MX52AC10-DFBN-RB3-

Price

Lead time

Configuration

Type:	M
Size:	X52A
Input:	80 B14 ø120
Output shaft/bore:	ø30
Mounting:	FB
Mounting position:	B3
Input bore:	-
Coupling:	-
Terminal box position:	B



Technical data

Input rpm (n_1):	1400 min⁻¹
Output rpm (n_2):	39.60 min⁻¹
Ratio (i):	35.35 (10)
Nominal power (P_{1R}):	1.08 kW
Nominal torque (M_{2R}):	250 Nm
Dynamic efficiency (RD):	96%

Selection

Motor power (P_{1M}):	0.75 kW
Output torque (M_{2M}):	173 Nm
Service factor (f.s.):	1.4

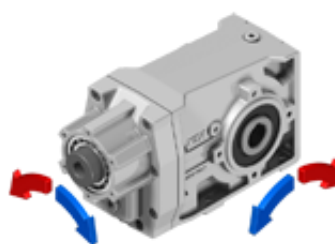
Lubrication

Oil quantity:	0.90l
AGIP:	Telium VSF 320
SHELL:	Omala S4 WE 320

On our website

Features	Atex certification
How to order	Installation check list
Dimension	Spare parts list
Accessories/options	Complete catalogue
Electric motors	Selection by power (xls)
Selection guide - fs	
Mounting pos. - lubricant	
Calc. the overhung load	

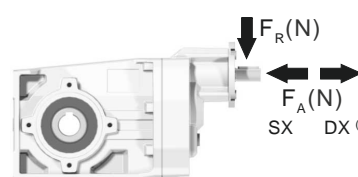
Direction of rotation



Note

Axial and radial loads

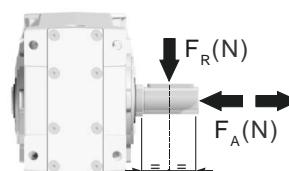
Input shaft



n_2 (min ⁻¹)	FA (N)	FR (N)
1400	450	2250
900	500	2500
500	600	3000

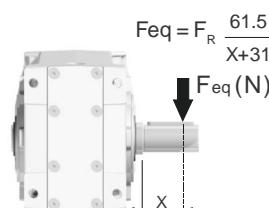
*Strong axial loads in the DX direction are not allowed

Output shaft



n_2 (min ⁻¹)	FA (N)	FR (N)
250	600	3000
150	700	3500
100	800	4000
75	820	4100
50	960	4800
25	1350	6750
15	1660	8300

*On request taper roller bearings to increase loads



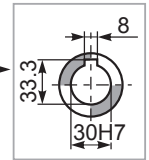
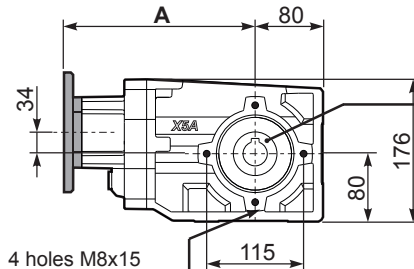
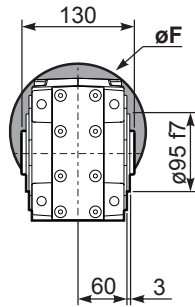
Angletech Gear **250Nm X52A**

3D dimensions on the Web

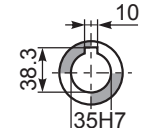
PX52AC... Basic Gearbox
Riduttore base

Gearbox weight **12.80 kg**
peso riduttore

M. flanges	Kit code	øF	A
71B5	K023.4.041	160	234
80/90B5	K023.4.042	200	236
100/112B5	K023.4.043	250	245
80B14	K085.4.046	120	236
90B14	K085.4.045	140	236
100/112B14	K085.4.047	160	245

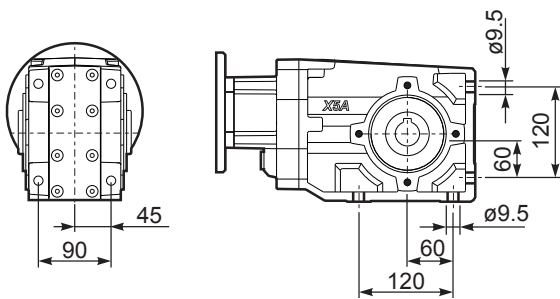


Standard
Hollow shaft

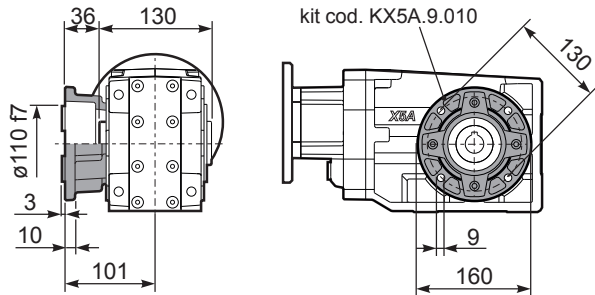


On request
A richiesta

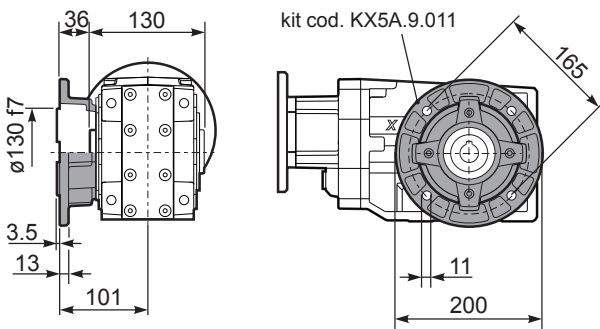
PX52A...FB.. Feet
Piedini



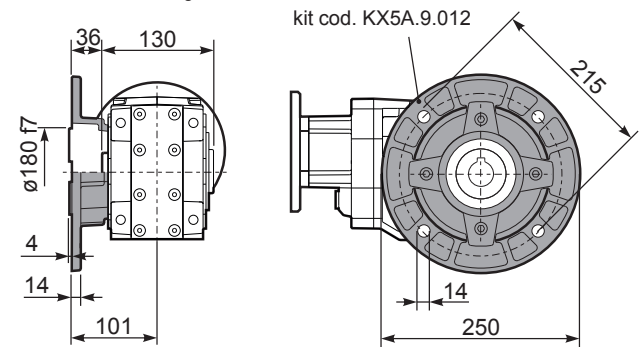
PX52A...-F2.. Output flange
Flangia uscita



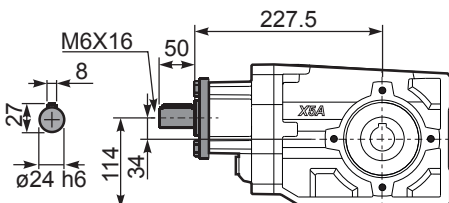
PX52A...-F3.. Output flange
Flangia uscita



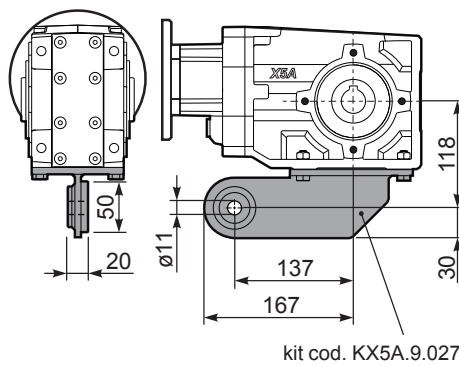
PX52A...-F4.. Output flange
Flangia uscita



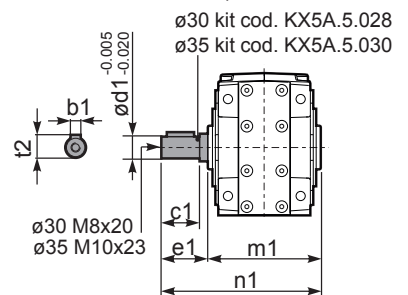
RX52A... Input shaft
Albero in entrata



PX52A...BR.. Reaction Arm
Braccio di reazione



PX52AA.. Single output shaft
Albero semplice in uscita



	b1	c1	d1	e1	m1	n1	t2
ø30	8	60	30	68	134	202	33
ø35	10	60	35	73.5	141	214.5	38