

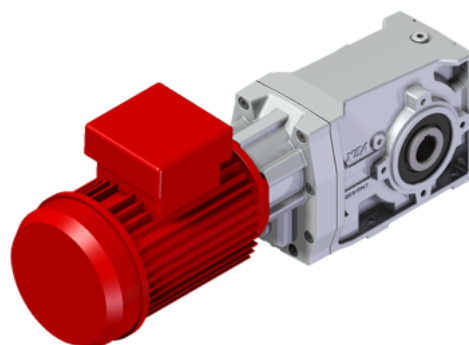
# MX22SC12-AFBN-PB3-

Price

Lead time

## Configuration

Type:	<b>M</b>
Size:	<b>X22S</b>
Input:	<b>63 B14 ø90</b>
Output shaft/bore:	<b>ø18</b>
Mounting:	<b>FB</b>
Mounting position:	<b>B3</b>
Input bore:	-
Coupling:	-
Terminal box position:	<b>B</b>



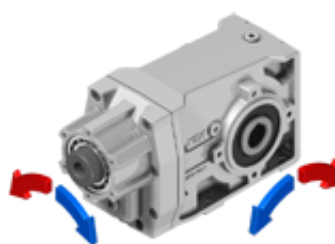
## Technical data

Input rpm ( $n_1$ ):	<b>1400 min<sup>-1</sup></b>
Output rpm ( $n_2$ ):	<b>48.21 min<sup>-1</sup></b>
Ratio (i):	<b>29.04 (12)</b>
Nominal power ( $P_{1R}$ ):	<b>0.26 kW</b>
Nominal torque ( $M_{2R}$ ):	<b>50 Nm</b>
Dynamic efficiency (RD):	<b>96%</b>

## Selection

Motor power ( $P_{1M}$ ):	<b>0.18 kW</b>
Output torque ( $M_{2M}$ ):	<b>36 Nm</b>
Service factor (f.s.):	<b>1.4</b>

## Direction of rotation



## Lubrication

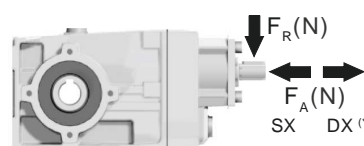
Oil quantity:	<b>0.25l</b>
AGIP:	<b>Telium VSF 320</b>
SHELL:	<b>Omala S4 WE 320</b>

## On our website

Features	Atex certification
How to order	Installation check list
Dimension	Spare parts list
Accessories/options	Complete catalogue
Electric motors	Selection by power (xls)
Selection guide - fs	
Mounting pos. - lubricant	
Calc. the overhung load	

## Axial and radial loads

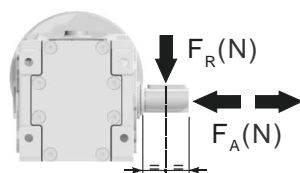
Input shaft



$n_2$ (min <sup>-1</sup> )	FA (N)	FR (N)
<b>1400</b>	140	700
<b>900</b>	160	800
<b>500</b>	190	950

\*Strong axial loads in the DX direction are not allowed

Output shaft

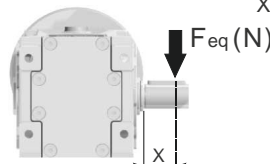


$n_2$ (min <sup>-1</sup> )	FA (N)	FR (N)
<b>400</b>	360	1800
<b>250</b>	380	1900
<b>150</b>	420	2100
<b>100</b>	440	2200
<b>75</b>	440	2200
<b>50</b>	440	2200
<b>25</b>	440	2200
<b>15</b>	440	2200

\*On request taper roller bearings to increase loads

## Note

$$F_{eq} = F_R \frac{42}{X+23}$$

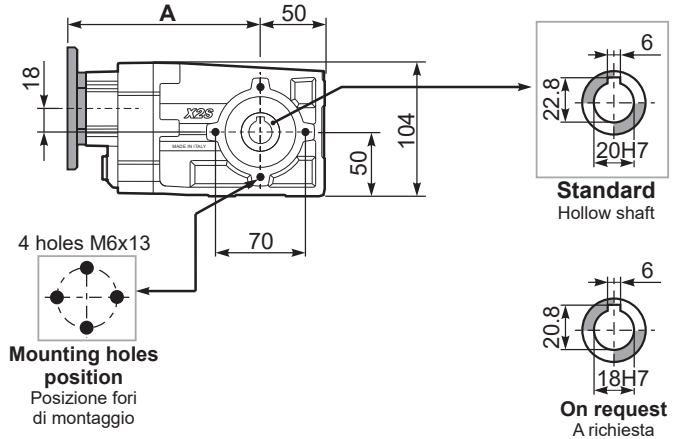
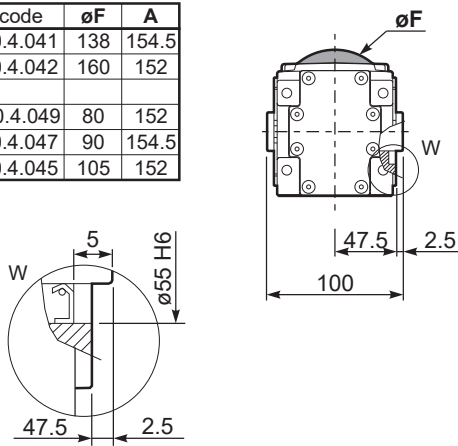


3D dimensions on the Web

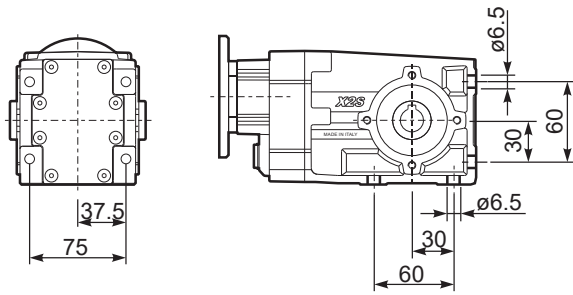
**PX22SC...** Basic Gearbox  
Riduttore base

**Gearbox weight** 3.70 kg  
peso riduttore

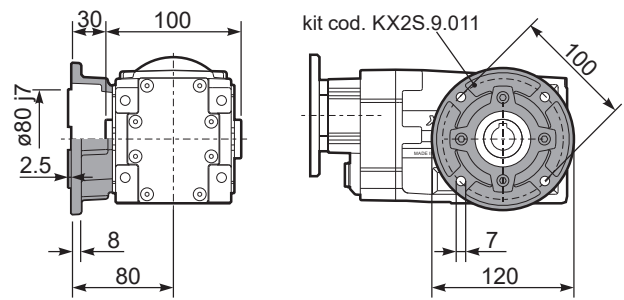
M. flanges	Kit code	øF	A
<b>63B5</b>	K050.4.041	138	154.5
<b>71B5</b>	K050.4.042	160	152
<b>56B14</b>	KC40.4.049	80	152
<b>63B14</b>	K050.4.047	90	154.5
<b>71B14</b>	K050.4.045	105	152



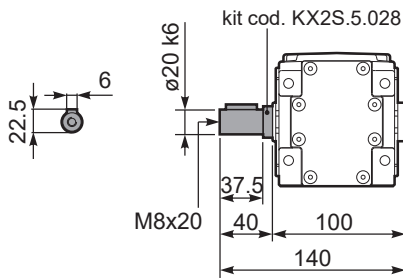
**PX22S...FB..** Feet  
Piedini



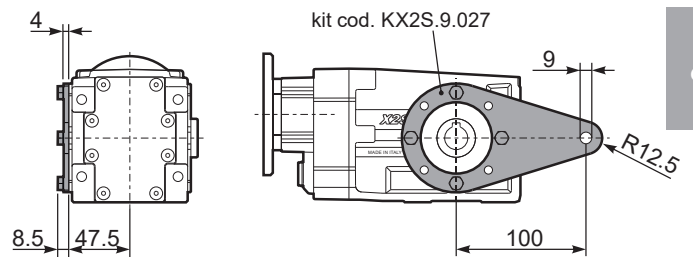
**PX22S...-F1..** Output flange  
Flangia uscita



**PX22SA..** Single output shaft  
Albero semplice in uscita



**PX22S...BR..** Reaction Arm  
Braccio di reazione



8

**RX22S..** Input shaft  
Albero in entrata

