

## Configuration

Type:	<b>M</b>
Size:	<b>Z45</b>
Input:	<b>63 B14 ø90</b>
Output shaft/bore:	<b>Stainless steel ø18</b>
Mounting:	<b>BR</b>
Mounting position:	<b>V6</b>
Input bore:	<b>ø11</b>
Coupling:	<b>B</b>
Terminal box position:	<b>B</b>

## Technical data

Input rpm ( $n_1$ ):	<b>1400 min<sup>-1</sup></b>
Output rpm ( $n_2$ ):	<b>100.00 min<sup>-1</sup></b>
Ratio (i):	<b>14.00</b>
Nominal power ( $P_{1R}$ ):	<b>0.41 kW</b>
Nominal torque ( $M_{2R}$ ):	<b>30 Nm</b>
Dynamic efficiency (RD):	<b>77%</b>

## Selection

Motor power ( $P_{1M}$ ):	<b>0.12 kW</b>
Output torque ( $M_{2M}$ ):	<b>9 Nm</b>
Service factor (f.s.):	<b>3.4</b>

## Lubrication

Oil quantity:	<b>0.09l</b>
AGIP:	<b>Telium VSF 320</b>
SHELL:	<b>Omala S4 WE 320</b>

## On our website

Features	Irreversibility
How to order	Thermal limit
Dimension	Installation check list
Accessories/options	Spare parts list
Electric motors	Complete catalogue
Selection guide - fs	Selection by power (xls)
Mounting pos. - lubricant	
Calc. the overhung load	

## Note

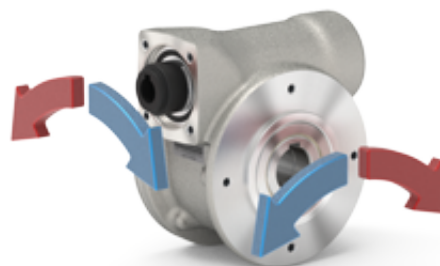
Customer

Lead time

Price

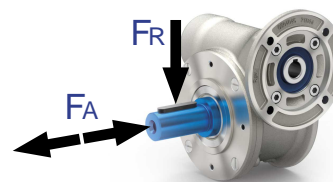


## Direction of rotation



## Axial and radial loads

Output shaft



$n_2$ (min <sup>-1</sup> )	FA (N)	FR (N)
<b>200</b>	180	900
<b>150</b>	200	1000
<b>100</b>	220	1100
<b>75</b>	240	1200
<b>50</b>	260	1400
<b>25</b>	300	1800
<b>15</b>	400	2000

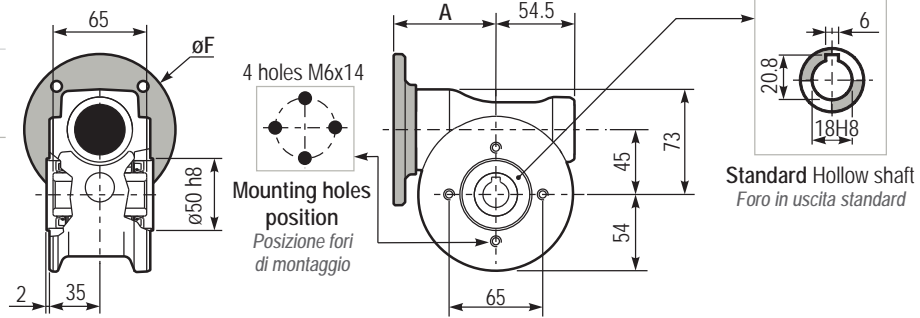
41 Nm

Z45

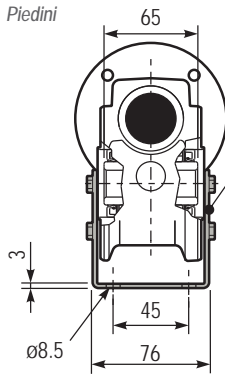
PZ45UN.. Basic gearbox  
Riduttore base

Gearbox weight  
Peso riduttore 2.50 kg

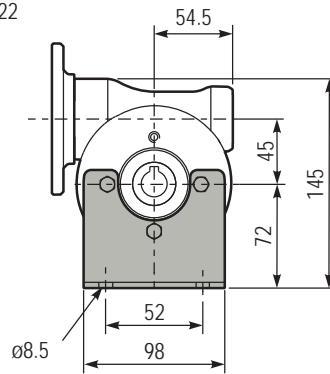
M. flanges	Kit code	øF	A
56B14	KZ454049	80	71.5
63B14	KZ454047	90	74
71B14	KZ454045	105	71.5



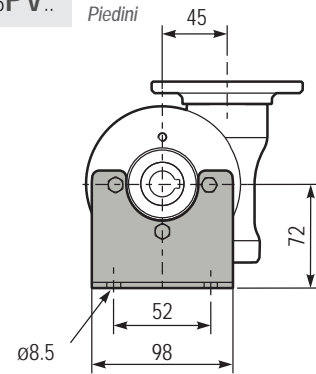
PZ45PA.. Feet  
Piedini



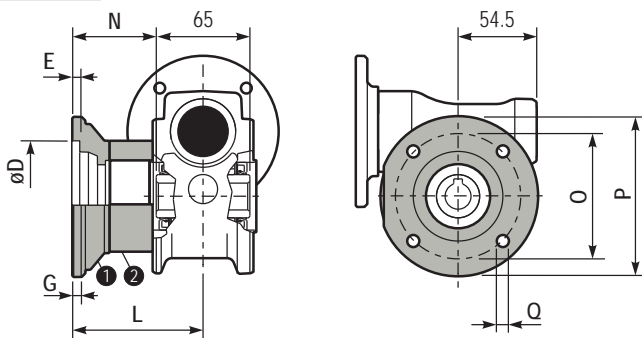
kit cod. KIZ459022



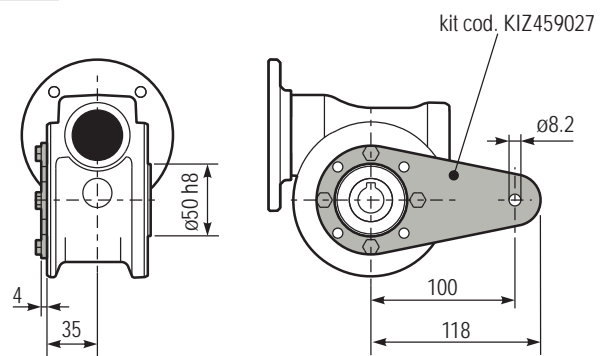
PZ45PV.. Feet  
Piedini



PZ45FC.. Output flange  
Flangia uscita

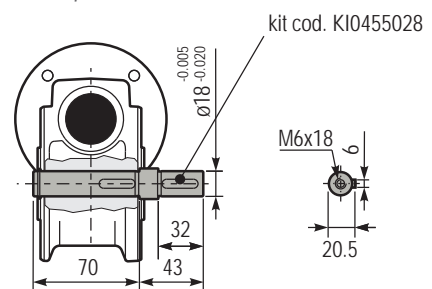


PZ45BR.. Reaction arm  
Braccio di reazione



Type	øD	E	G	L	N	O	P	Q	Kit code
FC	60 <sup>+0.15</sup> / <sub>-0.05</sub>	9	9	60.5	28	87	110	8.5	① KZ459010 ② -
FL	60 <sup>+0.15</sup> / <sub>-0.05</sub>	9	9	90.5	58	87	110	8.5	① KZ459010 ② KZ450200

PZ45..S.. Single output shaft  
Albero semplice in uscita



RZ45UN.. Input shaft  
Albero in entrata

