

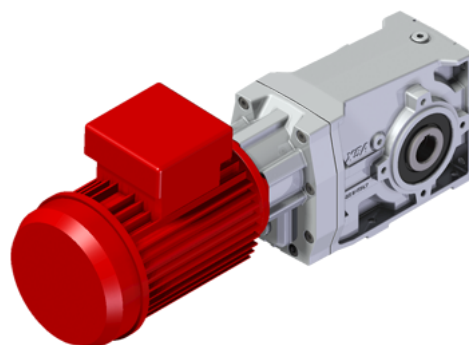
# MX62AC01-FFBN-UB3-

Price

Lead time

## Configuration

Type:	<b>M</b>
Size:	<b>X62A</b>
Input:	<b>100-112 B14 ø160</b>
Output shaft/bore:	<b>ø40</b>
Mounting:	<b>FB</b>
Mounting position:	<b>B3</b>
Input bore:	-
Coupling:	-
Terminal box position:	<b>B</b>



## Technical data

Input rpm ( $n_1$ ):	<b>1400 min<sup>-1</sup></b>
Output rpm ( $n_2$ ):	<b>232.28 min<sup>-1</sup></b>
Ratio (i):	<b>6.03 (01)</b>
Nominal power ( $P_{1R}$ ):	<b>6.08 kW</b>
Nominal torque ( $M_{2R}$ ):	<b>240 Nm</b>
Dynamic efficiency (RD):	<b>96%</b>

## Selection

Motor power ( $P_{1M}$ ):	<b>4.00 kW</b>
Output torque ( $M_{2M}$ ):	<b>155 Nm</b>
Service factor (f.s.):	<b>1.6</b>

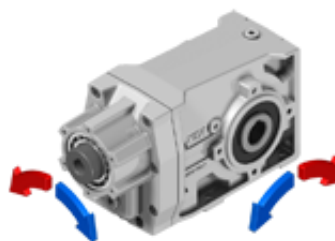
## Lubrication

Oil quantity:	<b>1.25l</b>
AGIP:	<b>Telium VSF 320</b>
SHELL:	<b>Omala S4 WE 320</b>

## On our website

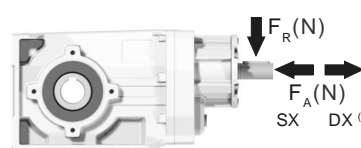
Features	Atex certification
How to order	Installation check list
Dimension	Spare parts list
Accessories/options	Complete catalogue
Electric motors	Selection by power (xls)
Selection guide - fs	
Mounting pos. - lubricant	
Calc. the overhung load	

## Direction of rotation



## Axial and radial loads

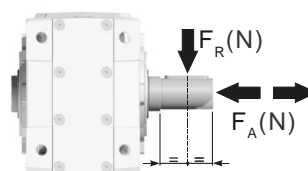
Input shaft



$n_2$ (min <sup>-1</sup> )	FA (N)	FR (N)
<b>1400</b>	450	2250
<b>900</b>	500	2500
<b>500</b>	600	3000

\*Strong axial loads in the DX direction are not allowed

Output shaft

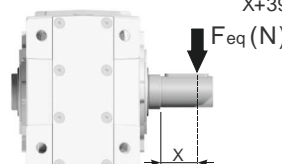


$n_2$ (min <sup>-1</sup> )	FA (N)	FR (N)
<b>250</b>	600	3000
<b>150</b>	700	3500
<b>100</b>	780	3900
<b>75</b>	890	4450
<b>50</b>	1140	5700
<b>25</b>	1330	6650
<b>15</b>	1660	8300

\*On request taper roller bearings to increase loads

## Note

$$F_{eq} = F_R \frac{69}{X+39}$$



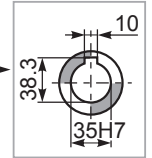
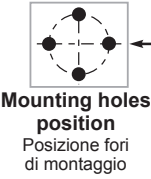
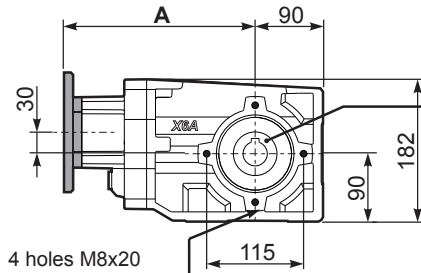
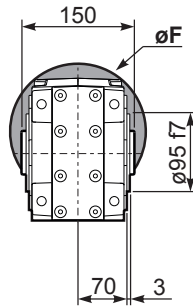
Angletech Gear **410Nm X62A**

3D dimensions on the Web

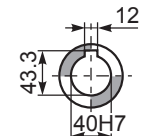
**PX62AC...** Basic Gearbox  
Riduttore base

Gearbox weight **15.80 kg**  
peso riduttore

M. flanges	Kit code	øF	A
71B5	K023.4.041	160	253
80/90B5	K023.4.042	200	255
100/112B5	K023.4.043	250	264
132B5	KC50.4.043	300	282
80B14	K085.4.046	120	255
90B14	K085.4.045	140	255
100/112B14	K085.4.047	160	264
132B14	KC50.4.041	200	282

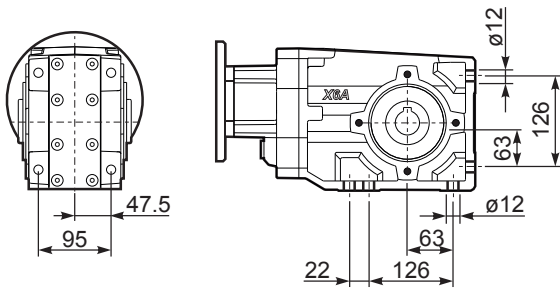


**Standard**  
Hollow shaft

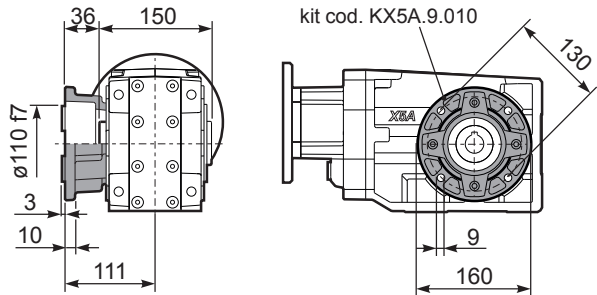


**On request**  
A richiesta

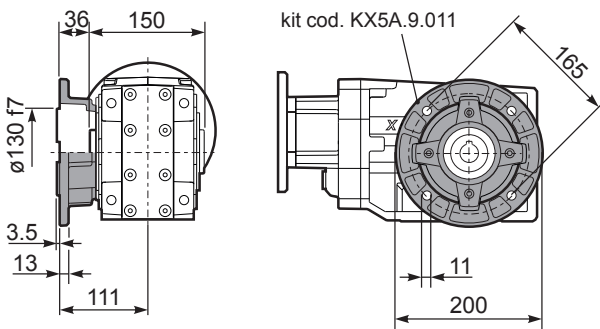
**PX62A...FB..** Feet  
Piedini



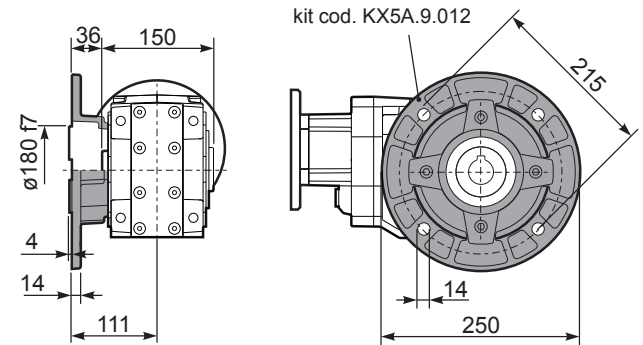
**PX62A...-F2..** Output flange  
Flangia uscita



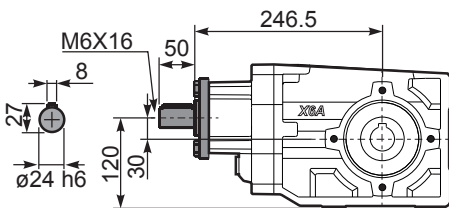
**PX62A...-F3..** Output flange  
Flangia uscita



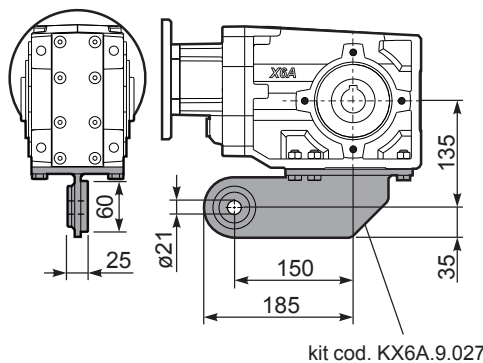
**PX62A...-F4..** Output flange  
Flangia uscita



**RX62A...** Input shaft  
Albero in entrata



**PX62A...BR..** Reaction Arm  
Braccio di reazione



**PX62AA..** Single output shaft  
Albero semplice in uscita

