

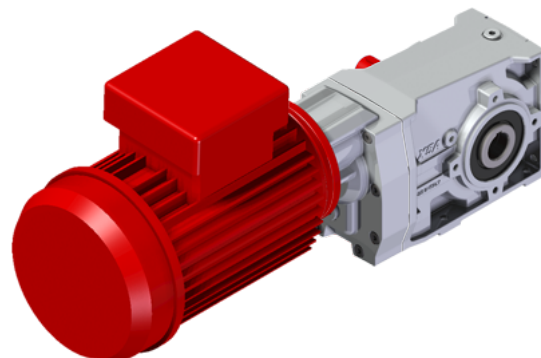
# MX93CA08-1FBN-GV5-

Price

Lead time

## Configuration

Type:	<b>M</b>
Size:	<b>X93C</b>
Input:	<b>132 B5 ø300</b>
Output shaft/bore:	<b>ø50</b>
Mounting:	<b>FB</b>
Mounting position:	<b>V5</b>
Input bore:	-
Coupling:	-
Terminal box position:	<b>B</b>



## Technical data

Input rpm ( $n_1$ ):	<b>1400 min<sup>-1</sup></b>
Output rpm ( $n_2$ ):	<b>77.09 min<sup>-1</sup></b>
Ratio (i):	<b>18.16 (08)</b>
Nominal power ( $P_{1R}$ ):	<b>13.31 kW</b>
Nominal torque ( $M_{2R}$ ):	<b>1550 Nm</b>
Dynamic efficiency (RD):	<b>94%</b>

## Selection

Motor power ( $P_{1M}$ ):	<b>5.50 kW</b>
Output torque ( $M_{2M}$ ):	<b>624 Nm</b>
Service factor (f.s.):	<b>2.5</b>

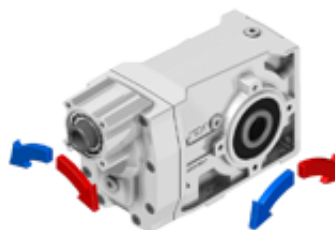
## Lubrication

Oil quantity:	<b>6.90l</b>
AGIP:	<b>Blasia 460</b>

## On our website

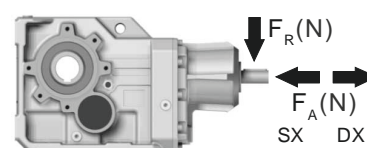
Features	Atex certification
How to order	Installation check list
Dimension	Spare parts list
Accessories/options	Complete catalogue
Electric motors	Selection by power (xls)
Selection guide - fs	
Mounting pos. - lubricant	
Calc. the overhung load	

## Direction of rotation



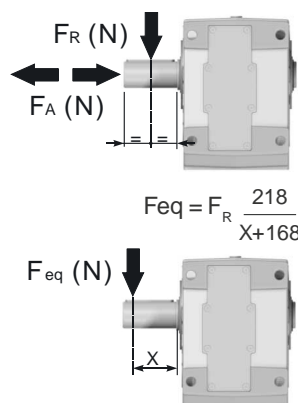
## Axial and radial loads

Input shaft



$n_2$ (min <sup>-1</sup> )	FA (N)	FR (N)
<b>1400</b>	700	3500
<b>900</b>	840	4200
<b>500</b>	900	4500

Output shaft



$n_2$ (min <sup>-1</sup> )	FA (N)	FR (N)
<b>300</b>	1800	9000
<b>250</b>	2400	12000
<b>200</b>	2600	13000
<b>140</b>	2700	13500
<b>120</b>	2800	14000
<b>85</b>	2900	14500
<b>70</b>	3020	15100
<b>40</b>	3200	16000
<b>15</b>	3500	17500

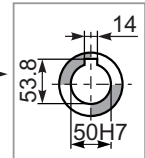
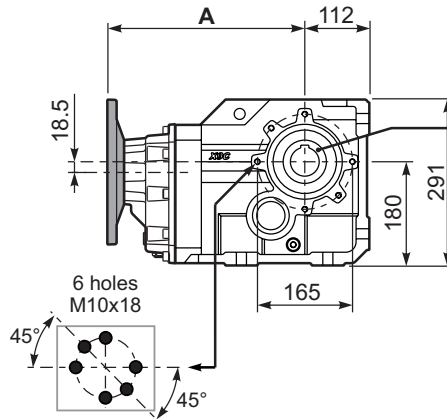
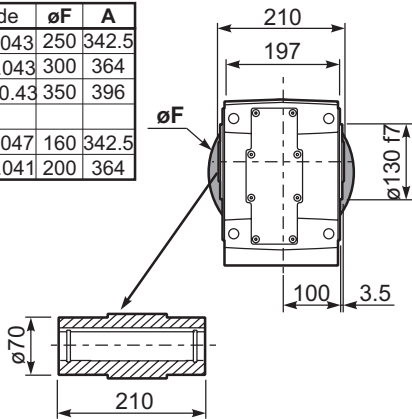
## Note

3D dimensions on the Web

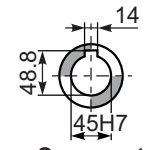
**PX93CC...** Basic Gearbox  
Riduttore base

Gearbox weight  
peso riduttore **75.0 kg**

M. flanges	Kit code	øF	A
100/112B5	K023.4.043	250	342.5
132B5	KC51.4.043	300	364
160/180B5	KC86.4.0.43	350	396
100/112B14	K085.4.047	160	342.5
132B14	KC51.4.041	200	364



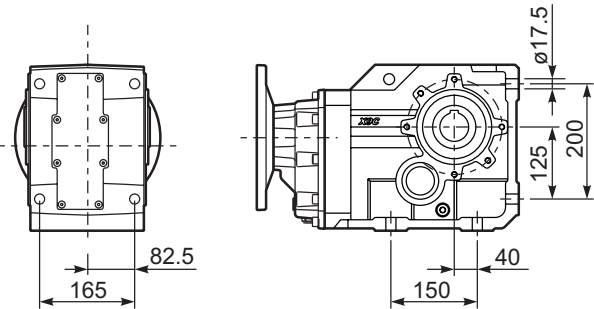
**Standard**  
Hollow shaft



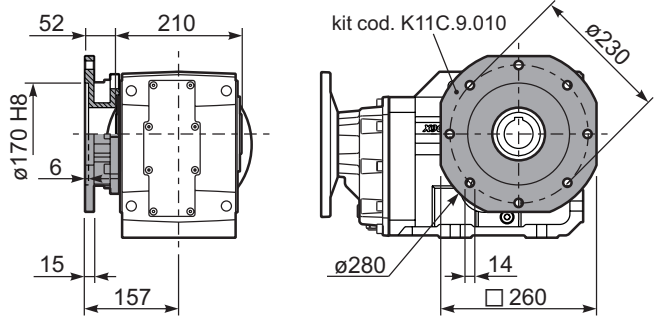
**On request**  
A richiesta

**Mounting holes position**  
Posizione fori di montaggio

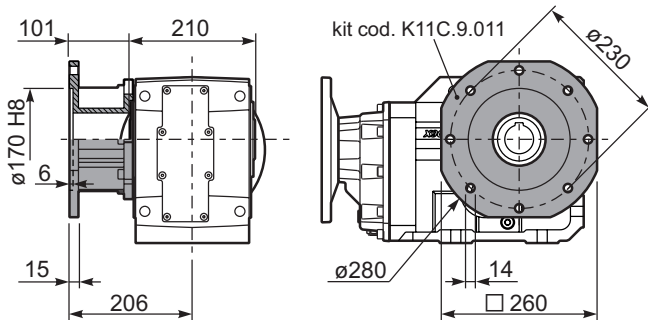
**PX93C...FB..** Feet  
Piedini



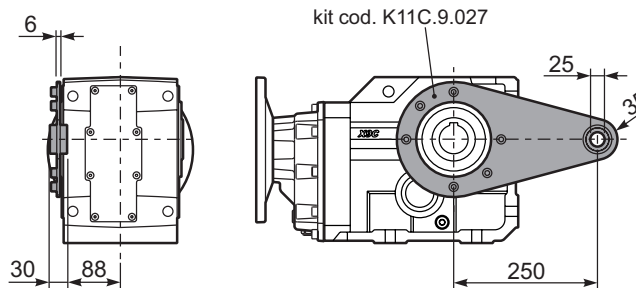
**PX93C...-FC..** Output flange  
Flangia uscita



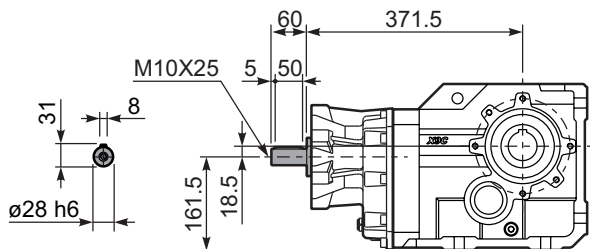
**PX93C...-FL..** Output flange  
Flangia uscita



**PX93C...BR..** Reaction Arm  
Braccio di reazione

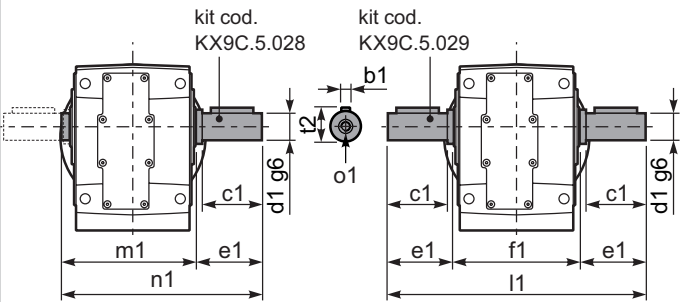


**RX93C...** Input shaft  
Albero in entrata



**PX93CA...** Single shaft  
Albero lento semplice

**PX93CB...** Double shaft  
Albero lento bisp.



	b1	c1	d1	e1	f1	l1	m1	n1	t2	o1
Standard	14	100	50	105	210	420	218	323	53.5	M16
-	-	-	-	-	-	-	-	-	-	-