

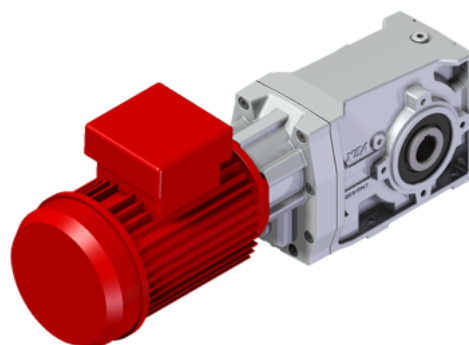
MX62AC10-EFBN-RB3-

Price

Lead time

Configuration

Type:	M
Size:	X62A
Input:	80 B14 ø120
Output shaft/bore:	ø35
Mounting:	FB
Mounting position:	B3
Input bore:	-
Coupling:	-
Terminal box position:	B



Technical data

Input rpm (n_1):	1400 min⁻¹
Output rpm (n_2):	39.60 min⁻¹
Ratio (i):	35.35 (10)
Nominal power (P_{1R}):	1.77 kW
Nominal torque (M_{2R}):	410 Nm
Dynamic efficiency (RD):	96%

Selection

Motor power (P_{1M}):	0.75 kW
Output torque (M_{2M}):	173 Nm
Service factor (f.s.):	2.4

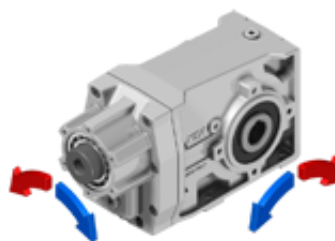
Lubrication

Oil quantity:	1.25l
AGIP:	Telium VSF 320
SHELL:	Omala S4 WE 320

On our website

Features	Atex certification
How to order	Installation check list
Dimension	Spare parts list
Accessories/options	Complete catalogue
Electric motors	Selection by power (xls)
Selection guide - fs	
Mounting pos. - lubricant	
Calc. the overhung load	

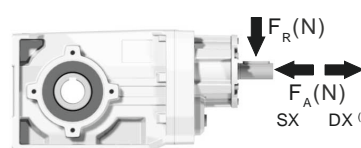
Direction of rotation



Note

Axial and radial loads

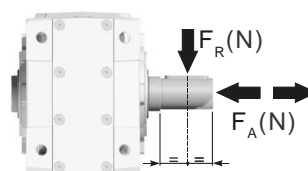
Input shaft



n_2 (min ⁻¹)	FA (N)	FR (N)
1400	450	2250
900	500	2500
500	600	3000

*Strong axial loads in the DX direction are not allowed

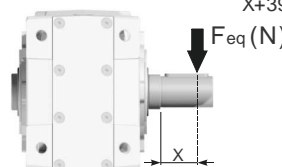
Output shaft



n_2 (min ⁻¹)	FA (N)	FR (N)
250	600	3000
150	700	3500
100	780	3900
75	890	4450
50	1140	5700
25	1330	6650
15	1660	8300

*On request taper roller bearings to increase loads

$$F_{eq} = F_R \frac{69}{X+39}$$



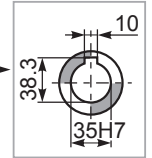
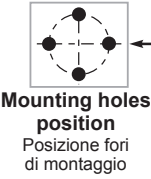
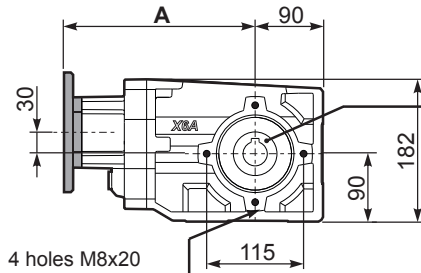
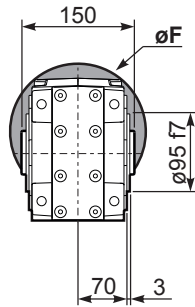
Angletech Gear **410Nm X62A**

3D dimensions on the Web

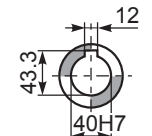
PX62AC... Basic Gearbox
Riduttore base

Gearbox weight **15.80 kg**
peso riduttore

M. flanges	Kit code	øF	A
71B5	K023.4.041	160	253
80/90B5	K023.4.042	200	255
100/112B5	K023.4.043	250	264
132B5	KC50.4.043	300	282
80B14	K085.4.046	120	255
90B14	K085.4.045	140	255
100/112B14	K085.4.047	160	264
132B14	KC50.4.041	200	282

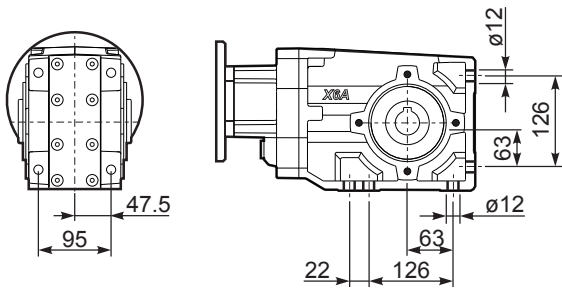


Standard
Hollow shaft

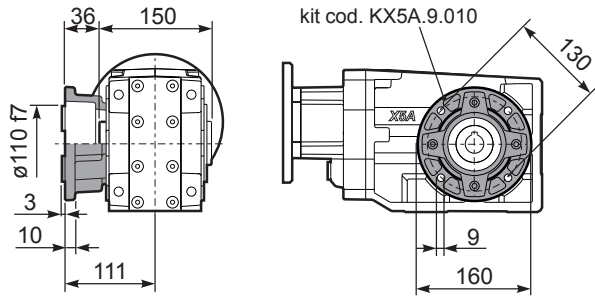


On request
A richiesta

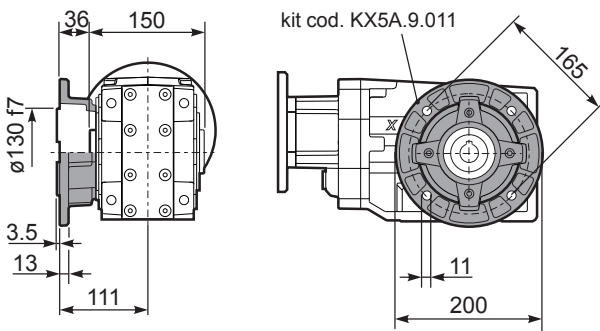
PX62A...FB.. Feet
Piedini



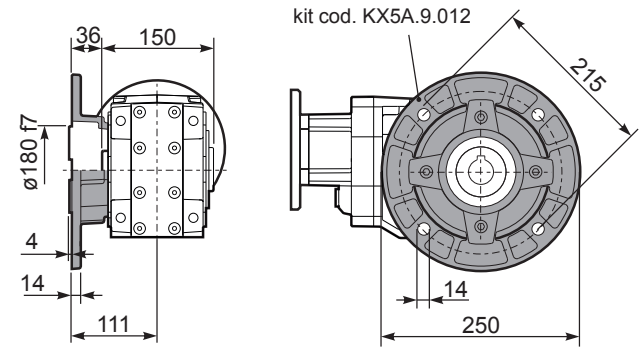
PX62A...-F2.. Output flange
Flangia uscita



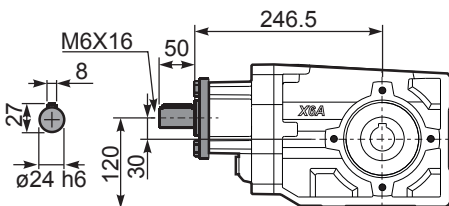
PX62A...-F3.. Output flange
Flangia uscita



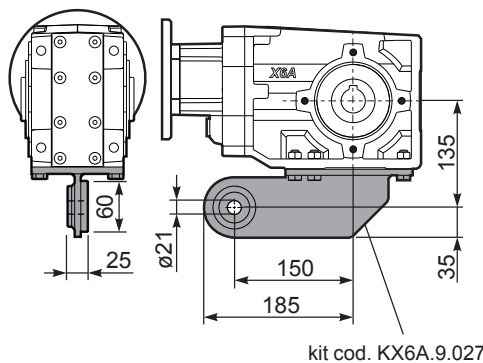
PX62A...-F4.. Output flange
Flangia uscita



RX62A... Input shaft
Albero in entrata



PX62A...BR.. Reaction Arm
Braccio di reazione



PX62AA.. Single output shaft
Albero semplice in uscita

