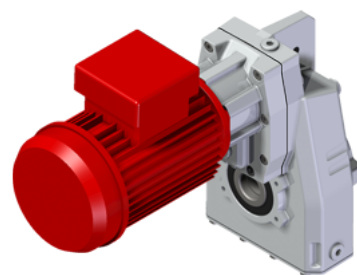


Price

Lead time

Configuration

| | |
|------------------------|------------------------|
| Type: | M |
| Size: | FA42 |
| Input: | 100-112 B5 ø250 |
| Output shaft/bore: | ø25 |
| Mounting: | ST |
| Mounting position: | H5 |
| Input bore: | - |
| Coupling: | - |
| Terminal box position: | B |



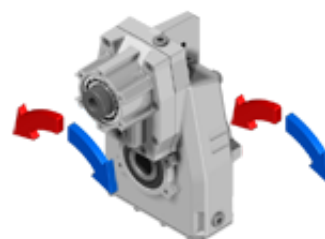
Technical data

| | |
|------------------------------|--------------------------------|
| Input rpm (n_1): | 1400 min⁻¹ |
| Output rpm (n_2): | 139.45 min⁻¹ |
| Ratio (i): | 10.04 (02) |
| Nominal power (P_{1R}): | 3.65 kW |
| Nominal torque (M_{2R}): | 240 Nm |
| Dynamic efficiency (RD): | 96% |

Selection

| | |
|-----------------------------|----------------|
| Motor power (P_{1M}): | 3.00 kW |
| Output torque (M_{2M}): | 194 Nm |
| Service factor (f.s.): | 1.2 |

Direction of rotation



Lubrication

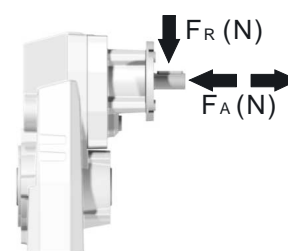
| | |
|---------------|------------------------|
| Oil quantity: | 1.20l |
| AGIP: | Telium VSF 320 |
| SHELL: | Omala S4 WE 320 |

On our website

| | |
|---------------------------|--------------------------|
| Features | Atex certification |
| How to order | Installation check list |
| Dimension | Spare parts list |
| Accessories/options | Complete catalogue |
| Electric motors | Selection by power (xls) |
| Selection guide - fs | |
| Mounting pos. - lubricant | |
| Calc. the overhung load | |

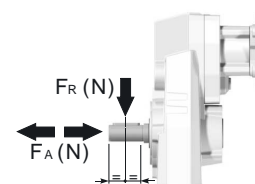
Axial and radial loads

Input shaft

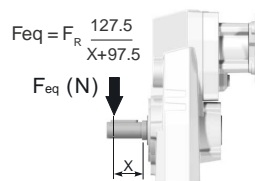


| n_2 (min ⁻¹) | FA (N) | FR (N) |
|-------------------------------|-----------|-----------|
| 1400 | 240 | 1200 |
| 900 | 280 | 1400 |
| 500 | 340 | 1700 |

Output shaft



| n_2 (min ⁻¹) | FA (N) | FR (N) |
|-------------------------------|-----------|-----------|
| 300 | 300 | 1500 |
| 250 | 320 | 1600 |
| 200 | 350 | 1750 |
| 140 | 390 | 1950 |
| 120 | 410 | 2050 |
| 85 | 460 | 2300 |
| 70 | 490 | 2450 |
| 40 | 590 | 2950 |
| 15 | 800 | 4000 |



*On request reinforced bearings to increase loads

Note

Compact gear
320Nm **FA42**

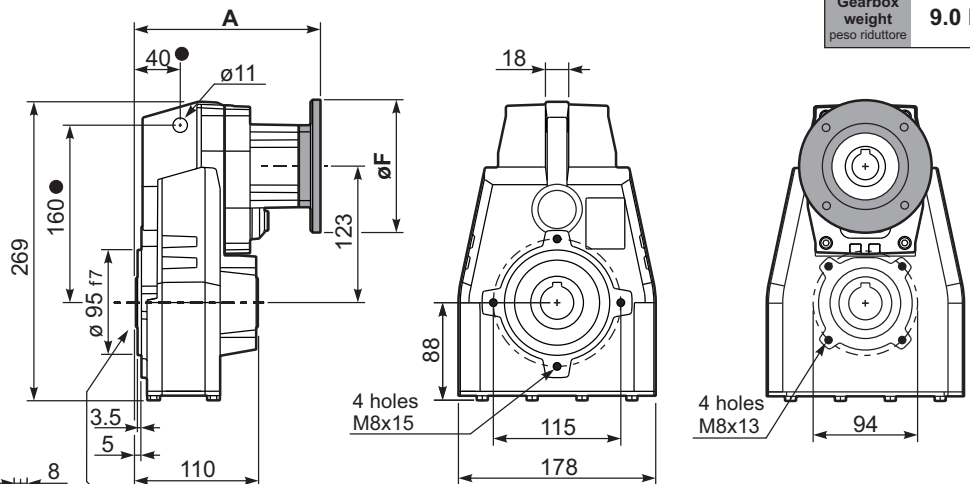
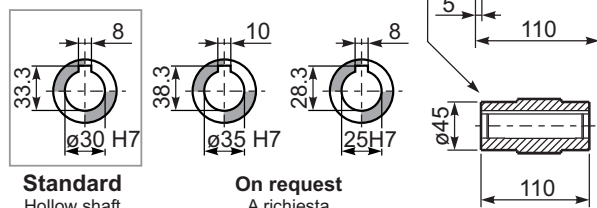
3D dimensions on the Web

Gearbox weight **9.0 kg**
peso riduttore

PFA42C... Basic gearbox
Riduttore base

| M. flanges | Kit code | øF | A |
|------------|------------|-----|-------|
| 63B5 | K063.4.041 | 140 | 169.5 |
| 71B5 | K063.4.042 | 160 | 167.5 |
| 80/90B5 | K063.4.043 | 200 | 169.5 |
| 100/112B5 | KC40.4.043 | 250 | 184.5 |
| 71B14 | K063.4.047 | 105 | 167.5 |
| 80B14 | K063.4.046 | 120 | 169.5 |
| 90B14 | K063.4.041 | 140 | 169.5 |
| 100/112B14 | KC40.4.041 | 160 | 184.5 |

● Available torque arms, see our web site
Bracci di reazione disponibili, consulta il nostro sito web



Standard
Hollow shaft

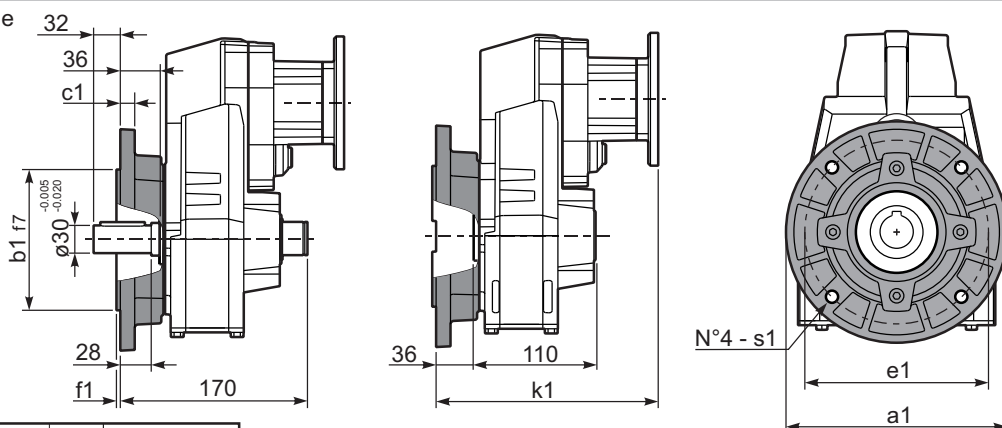
On request
A richiesta

PFA42...-F... Output flange
Flangia uscita

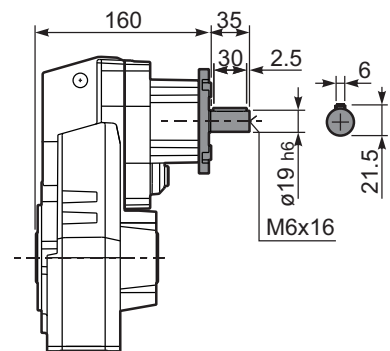
| Motor Flange | k1 |
|--------------|-------|
| 63B5 | 205.5 |
| 71B5 | 203.5 |
| 80/90B5 | 205.5 |
| 100/112B5 | 220.5 |
| 71B14 | 203.5 |
| 80B14 | 205.5 |
| 90B14 | 205.5 |
| 100/112B14 | 220.5 |

Available output flanges
Flange di uscita

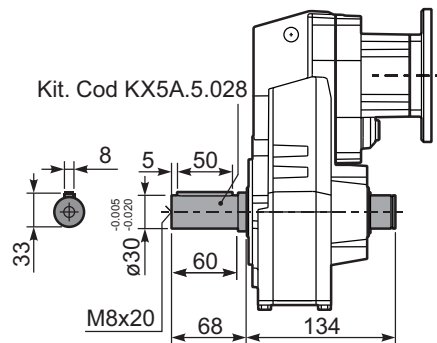
| a1 ø | b1 | c1 | e1 | f1 | s1 | Kit code |
|------|-----|----|-----|-----|----|------------|
| 160 | 110 | 10 | 130 | 3 | 9 | KX5A.9.010 |
| 200 | 130 | 13 | 165 | 3.5 | 11 | KX5A.9.011 |
| 250 | 180 | 14 | 215 | 4 | 14 | KX5A.9.012 |



RFA42C... Input Shaft
Albero in entrata



PFA42 A... Single output shaft
Albero uscita semplice



PFA42D... Shrink disk
Calettatore

