

MX43AC13-D-F2-PB3-

Price

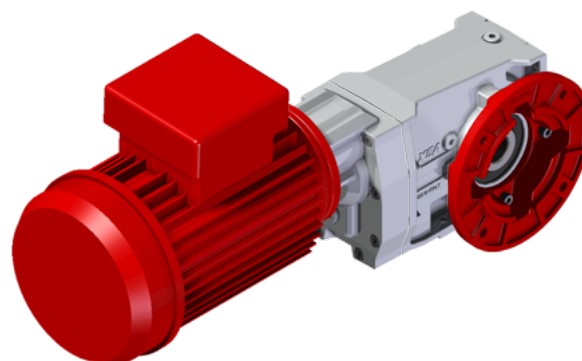
Lead time

Configuration

Type:	M
Size:	X43A
Input:	63 B14 ø90
Output shaft/bore:	ø30
Mounting:	-F
Output flange:	ø160
Mounting position:	B3
Input bore:	-
Coupling:	-
Terminal box position:	B

Technical data

Input rpm (n_1):	1400 min⁻¹
Output rpm (n_2):	6.65 min⁻¹
Ratio (i):	210.42 (13)
Nominal power (P_{1R}):	0.12 kW
Nominal torque (M_{2R}):	160 Nm
Dynamic efficiency (RD):	94%



Selection

Motor power (P_{1M}):	0.12 kW
Output torque (M_{2M}):	166 Nm
Service factor (f.s.):	1.0

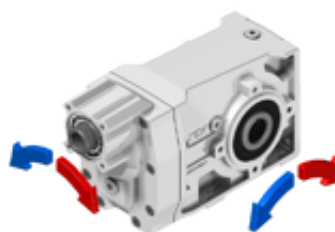
Lubrication

Oil quantity:	0.80l
AGIP:	Telium VSF 320
SHELL:	Omala S4 WE 320

On our website

Features	Atex certification
How to order	Installation check list
Dimension	Spare parts list
Accessories/options	Complete catalogue
Electric motors	Selection by power (xls)
Selection guide - fs	
Mounting pos. - lubricant	
Calc. the overhung load	

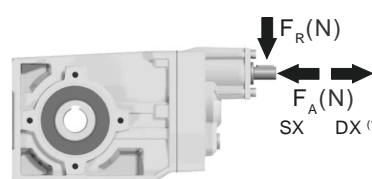
Direction of rotation



Note

Axial and radial loads

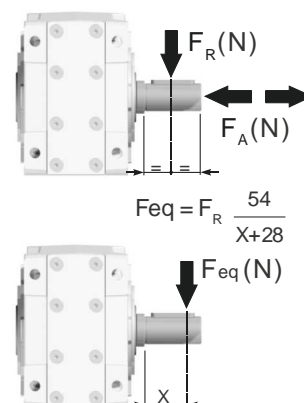
Input shaft



n_2 (min ⁻¹)	FA (N)	FR (N)
1400	140	700
900	160	800
500	190	950

*Strong axial loads in the DX direction are not allowed

Output shaft



n_2 (min ⁻¹)	FA (N)	FR (N)
250	500	2500
150	600	3000
100	700	3500
75	800	4000
50	960	4800
25	960	4800
15	960	4800

*On request taper roller bearings to increase loads

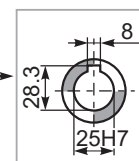
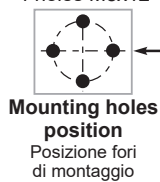
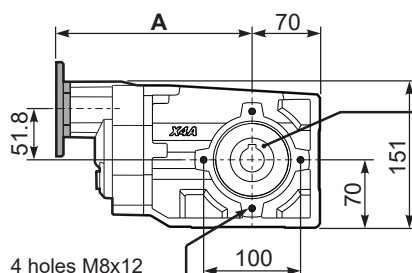
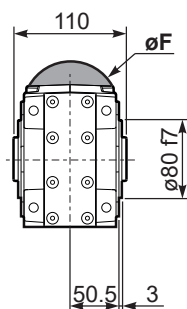
Angletech Gear **160Nm X43A**

3D dimensions on the Web

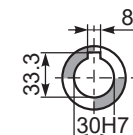
PX43AC... Basic Gearbox
Riduttore base

Gearbox weight **7.93 kg**
peso riduttore

M. flanges	Kit code	øF	A
63B5	K050.4.041	138	205
71B5	K050.4.042	160	202.5
56B14	KC40.4.049	80	202.5
63B14	K050.4.047	90	205
71B14	K050.4.045	105	202.5

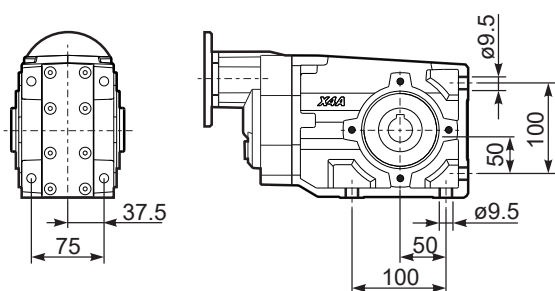


Standard
Hollow shaft

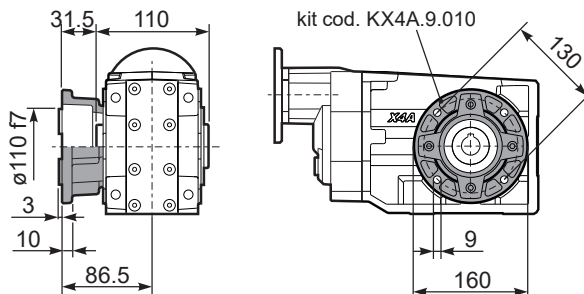


On request
A richiesta

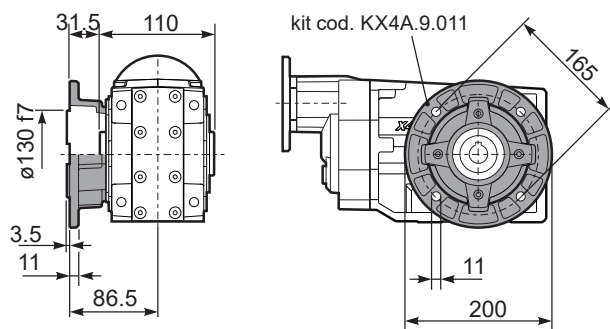
PX43A...FB Feet
Piedini



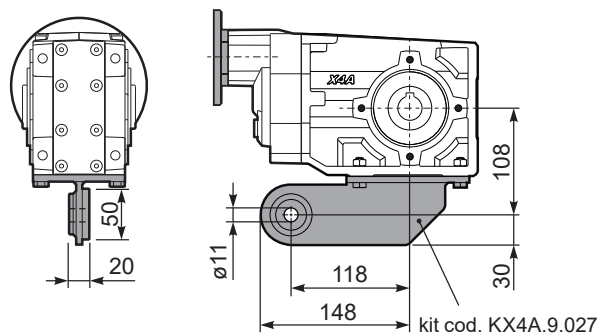
PX43A...F2 Output flange
Flangia uscita



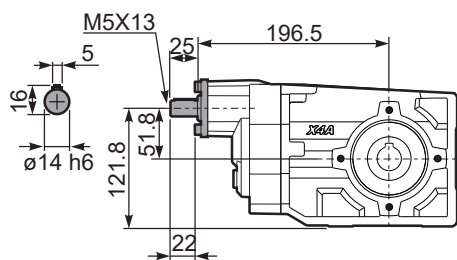
PX43A...F3 Output flange
Flangia uscita



PX43A...BR Reaction Arm
Braccio di reazione



RX43A... Input shaft
Albero in entrata



PX43AA.. Single output shaft
Albero semplice in uscita

