

M113CA05-VFBN-VV5-

Price

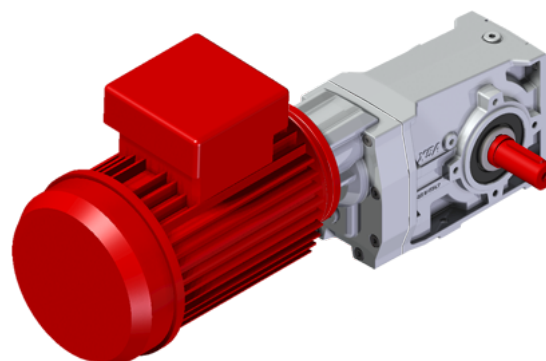
Lead time

Configuration

Type:	M
Size:	113C
Input:	132 B14 ø200
Output shaft/bore:	ø40
Mounting:	FB
Mounting position:	V5
Input bore:	-
Coupling:	-
Terminal box position:	B

Technical data

Input rpm (n_1):	1400 min⁻¹
Output rpm (n_2):	81.36 min⁻¹
Ratio (i):	17.21 (05)
Nominal power (P_{1R}):	5.44 kW
Nominal torque (M_{2R}):	600 Nm
Dynamic efficiency (RD):	94%



Selection

Motor power (P_{1M}):	5.50 kW
Output torque (M_{2M}):	591 Nm
Service factor (f.s.):	1.0

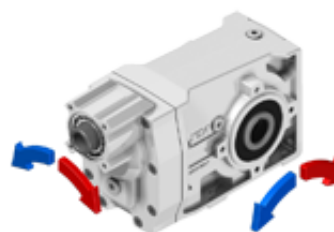
Lubrication

Oil quantity:	5.15l
AGIP:	Telium VSF 320
SHELL:	Omala S4 WE 320

On our website

Features	Atex certification
How to order	Installation check list
Dimension	Spare parts list
Accessories/options	Complete catalogue
Electric motors	Selection by power (xls)
Selection guide - fs	
Mounting pos. - lubricant	
Calc. the overhung load	

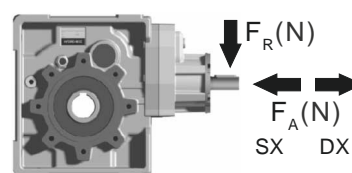
Direction of rotation



Note

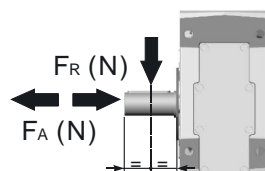
Axial and radial loads

Input shaft



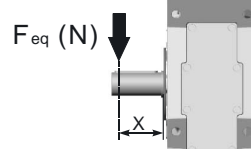
n_2 (min ⁻¹)	FA (N)	FR (N)
1400	400	2000
900	440	2200
500	440	2200

Output shaft



n_2 (min ⁻¹)	FA (N)	FR (N)
300	640	3200
250	700	3500
200	740	3700
140	860	4300
120	900	4500
85	1000	5000
70	1080	5400
40	1300	6500
15	1840	9200

$$F_{eq} = F_R \frac{171}{X+131}$$



*On request reinforced bearings to increase loads

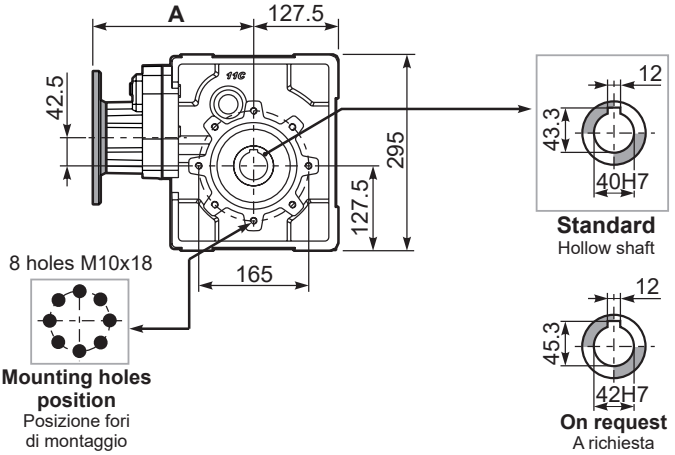
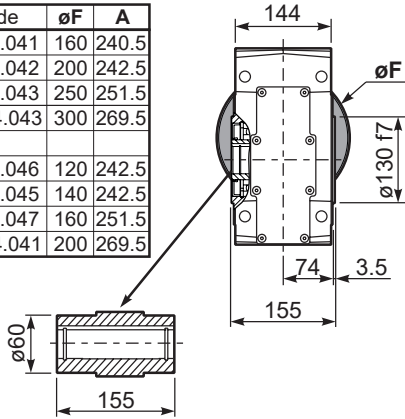
Angletech - Gear **113C**
675Nm

3D dimensions on the Web

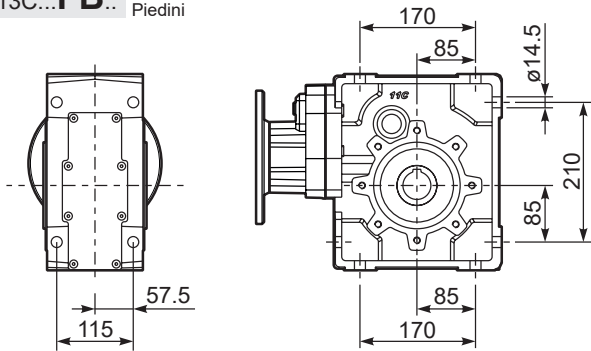
P113CC... Basic Gearbox
Riduttore base

Gearbox weight **38.0 kg**
peso riduttore

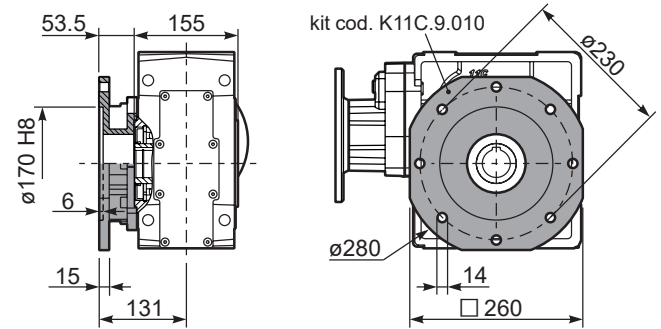
M. flanges	Kit code	øF	A
71B5	K023.4.041	160	240.5
80/90B5	K023.4.042	200	242.5
100/112B5	K023.4.043	250	251.5
132B5	KC50.4.043	300	269.5
80B14	K085.4.046	120	242.5
90B14	K085.4.045	140	242.5
100/112B14	K085.4.047	160	251.5
132B14	KC50.4.041	200	269.5



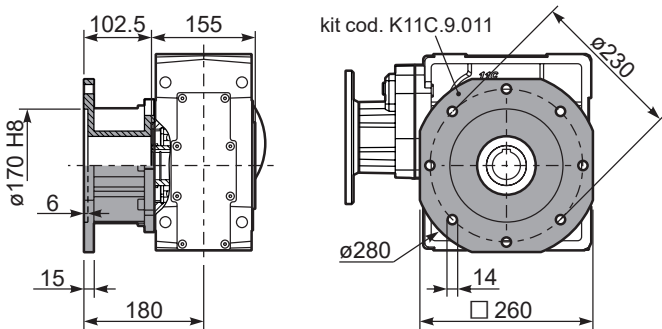
P113C...FB.. Feet
Piedini



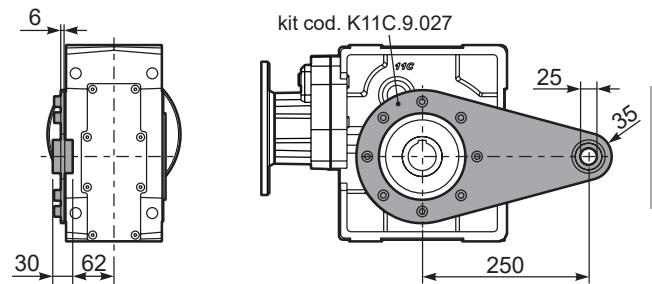
P113C...-FC.. Output flange
Flangia uscita



P113C...-FL.. Output flange
Flangia uscita

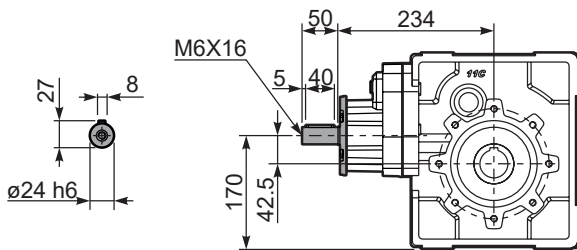


P113C...BR.. Reaction Arm
Braccio di reazione



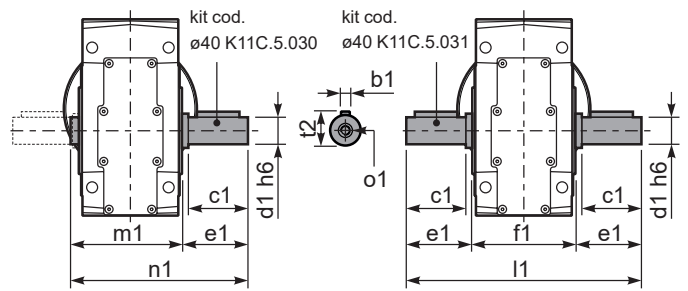
8

R113C... Input shaft
Albero in entrata



P113CA... Single shaft
Albero lento semplice

P113CB... Double shaft
Albero lento bisp.



	b1	c1	d1	e1	f1	l1	m1	n1	t2	o1
ø40 Standard	12	80	40	84.5	155	324	164.5	249	43	M12
On request	-	-	-	-	-	-	-	-	-	-