

Configuration

Type:	M
Size:	Z45
Input:	63 B14 ø90
Output shaft/bore:	Stainless steel ø18
Mounting:	BR
Mounting position:	B3
Input bore:	ø11
Coupling:	B
Terminal box position:	B

Technical data

Input rpm (n_1):	1400 min⁻¹
Output rpm (n_2):	100.00 min⁻¹
Ratio (i):	14.00
Nominal power (P_{1R}):	0.41 kW
Nominal torque (M_{2R}):	30 Nm
Dynamic efficiency (RD):	77%

Selection

Motor power (P_{1M}):	0.12 kW
Output torque (M_{2M}):	9 Nm
Service factor (f.s.):	3.4

Lubrication

Oil quantity:	0.09l
AGIP:	Telium VSF 320
SHELL:	Omala S4 WE 320

On our website

Features	Irreversibility
How to order	Thermal limit
Dimension	Installation check list
Accessories/options	Spare parts list
Electric motors	Complete catalogue
Selection guide - fs	Selection by power (xls)
Mounting pos. - lubricant	
Calc. the overhung load	

Note

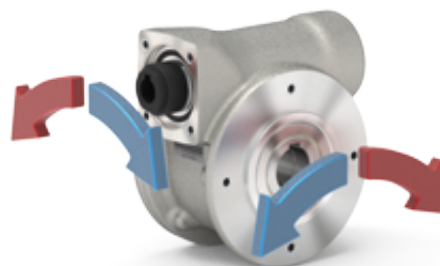
Customer

Lead time

Price

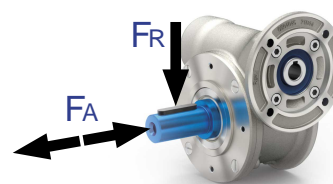


Direction of rotation



Axial and radial loads

Output shaft



n_2 (min ⁻¹)	FA (N)	FR (N)
200	180	900
150	200	1000
100	220	1100
75	240	1200
50	260	1400
25	300	1800
15	400	2000

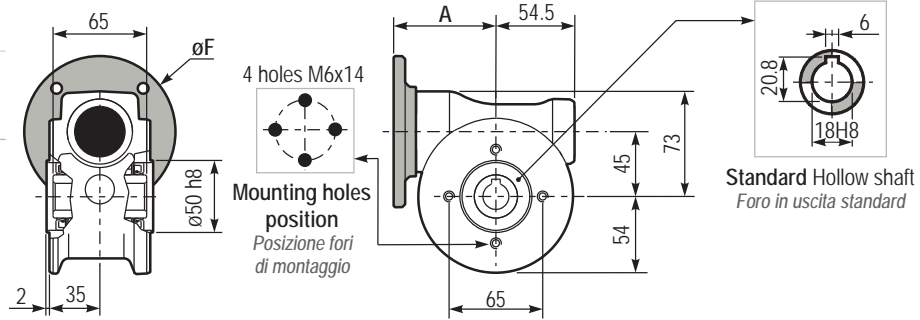
41
Nm

Z45

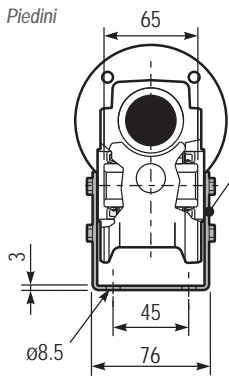
PZ45UN.. Basic gearbox
Riduttore base

Gearbox weight
Peso riduttore 2.50 kg

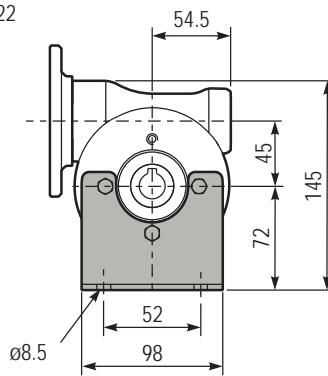
M. flanges	Kit code	øF	A
56B14	KZ454049	80	71.5
63B14	KZ454047	90	74
71B14	KZ454045	105	71.5



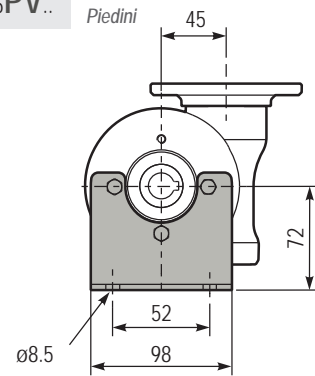
PZ45PA.. Feet
Piedini



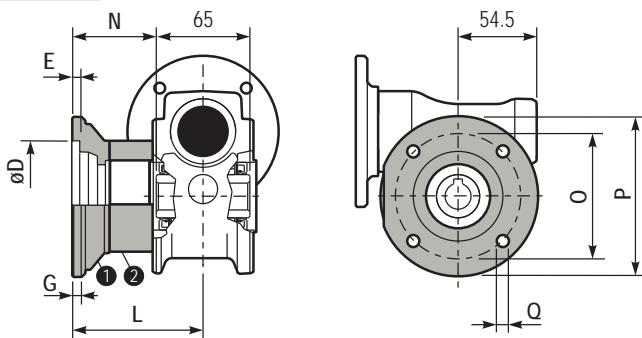
kit cod. KIZ459022



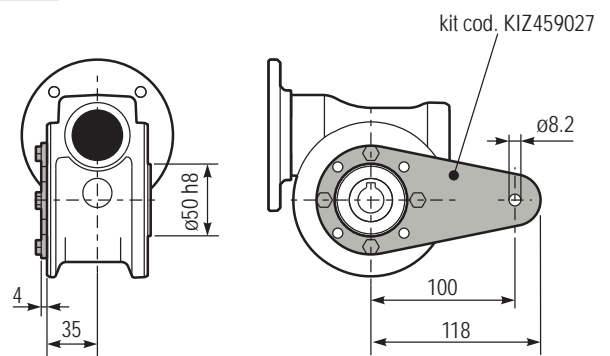
PZ45PV.. Feet
Piedini



PZ45FC.. Output flange
Flangia uscita

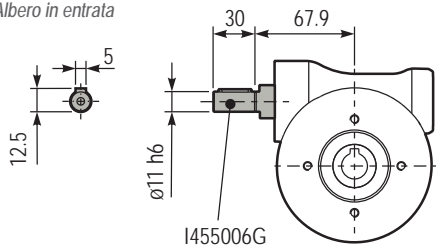


PZ45BR.. Reaction arm
Braccio di reazione



Type	øD	E	G	L	N	O	P	Q	Kit code
FC	60 ^{+0.15} _{-0.05}	9	9	60.5	28	87	110	8.5	● KZ459010 ● KZ459010 ● KZ450200
FL	60 ^{+0.15} _{-0.05}	9	9	90.5	58	87	110	8.5	● KZ459010 ● KZ450200

RZ45UN.. Input shaft
Albero in entrata



PZ45..S.. Single output shaft
Albero semplice in uscita

