

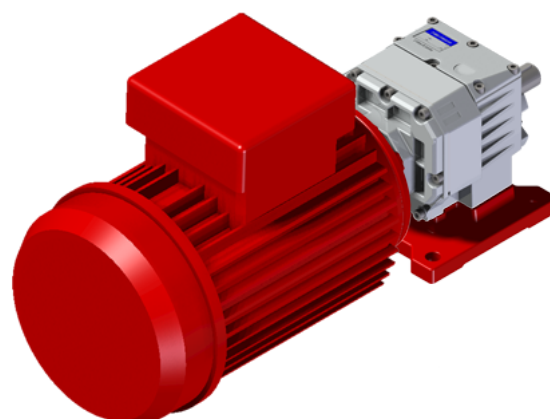
M412AB119VN-QB3-

Price

Lead time

Configuration

| | |
|------------------------|--------------------|
| Type: | M |
| Size: | 412A |
| Input: | 71 B14 ø105 |
| Output shaft/bore: | ø25 |
| Mounting: | B1 |
| Mounting position: | B3 |
| Input bore: | - |
| Coupling: | - |
| Terminal box position: | B |



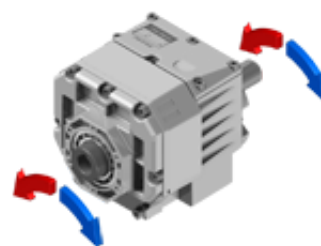
Technical data

| | |
|------------------------------|-------------------------------|
| Input rpm (n_1): | 1400 min⁻¹ |
| Output rpm (n_2): | 36.49 min⁻¹ |
| Ratio (i): | 38.37 (19) |
| Nominal power (P_{1R}): | 0.66 kW |
| Nominal torque (M_{2R}): | 165 Nm |
| Dynamic efficiency (RD): | 96% |

Selection

| | |
|-----------------------------|----------------|
| Motor power (P_{1M}): | 0.37 kW |
| Output torque (M_{2M}): | 93 Nm |
| Service factor (f.s.): | 1.8 |

Direction of rotation



Lubrication

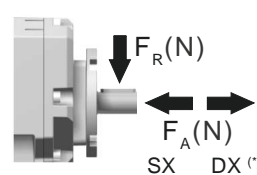
| | |
|---------------|------------------------|
| Oil quantity: | 0.25l |
| AGIP: | Telium VSF 320 |
| SHELL: | Omala S4 WE 320 |

On our website

| | |
|---------------------------|--------------------------|
| Features | Atex certification |
| How to order | Installation check list |
| Dimension | Spare parts list |
| Accessories/options | Complete catalogue |
| Electric motors | Selection by power (xls) |
| Selection guide - fs | |
| Mounting pos. - lubricant | |
| Calc. the overhung load | |

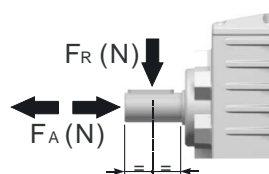
Axial and radial loads

Input shaft



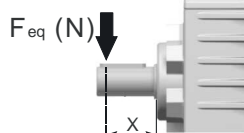
| n_2 (min ⁻¹) | FA (N) | FR (N) |
|-------------------------------|-----------|-----------|
| 1400 | 240 | 1200 |
| 900 | 280 | 1400 |
| 500 | 340 | 1700 |

Output shaft



| n_2 (min ⁻¹) | FA (N) | FR (N) |
|-------------------------------|-----------|-----------|
| 300 | 310 | 1550 |
| 250 | 330 | 1650 |
| 200 | 360 | 1800 |
| 140 | 406 | 2030 |
| 120 | 448 | 2240 |
| 85 | 480 | 2400 |
| 70 | 540 | 2700 |
| 40 | 600 | 3000 |
| 15 | 600 | 3000 |

$$F_{eq} = F_R \frac{46}{X+21}$$



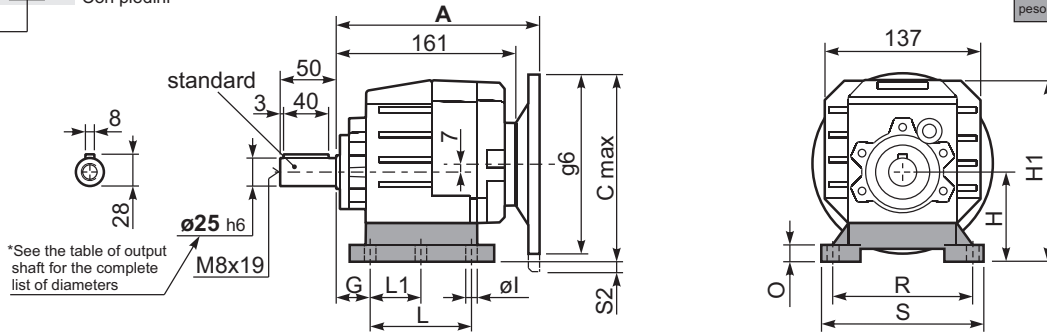
Note

Coaxial - Gear 175Nm **412A**

3D dimensions on the Web

P412A**B1**... With feet
Con piedini

Gearbox weight
peso riduttore With flange **5.7 kg**
With feet **5.9 Kg**



Feet / piedini

| Feet Code | Market reference | G | H | R | L | L1 | S | H1 | O | øl | S2 only with motor flange | B5 max. Flange | kit code |
|-----------|------------------|----|-----|---------|--------|----|-----|-------|----|----|----------------------------|----------------|------------|
| B1 | 112 | 18 | 85 | 110 | 87 | 50 | 130 | 167.5 | 15 | - | 8/33 80/90B5 100/112B5 | - | KC35.9.021 |
| B2 | 212/3 | 18 | 100 | 130 | 107.5 | 60 | 155 | 182.5 | 17 | 11 | 18 100/112B5 | - | KC40.9.025 |
| S1 | 17 | 18 | 75 | 110 | 90÷110 | 50 | 145 | 155.5 | 15 | 9 | 18/43 80/90B5 100/112B5 | - | KC40.9.022 |
| S2 | 27 | 25 | 90 | 110 | 130 | - | 145 | 172.5 | 20 | 9 | 3/28 80/90B5 100/112B5 | - | KC40.9.024 |
| H2 | 022-223 | 25 | 100 | 110 | 115 | - | 145 | 182.5 | 20 | 9 | 18 100/112B5 | - | KC40.9.026 |
| M1 | 42/3 | 25 | 80 | 110÷120 | 85 | - | 145 | 162.5 | 15 | 9 | 13/38 80/90B5 100/112B5 | - | KC40.9.023 |

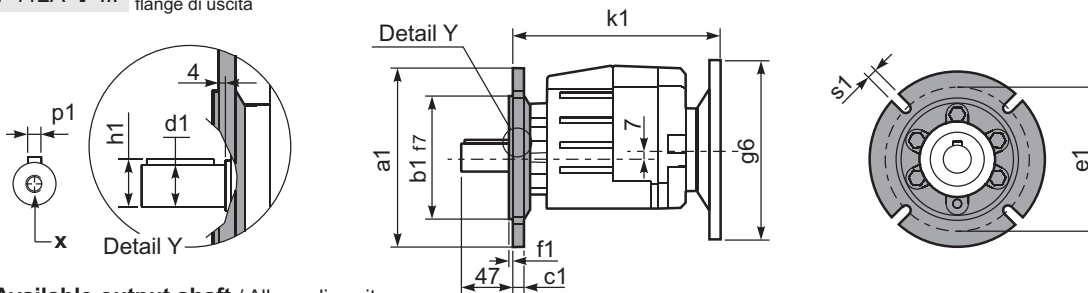
Other feet are available, see our web site
Sono disponibili altri piedini, consulta il nostro sito web

A see on page bottom

Most popular types
Tipi più diffusi

4

P412A-**F**... Output flanges
flange di uscita



*Available output shaft / Albero di uscita

| | Shaft - d1 | p1 | h1 | x |
|---------------------------|------------|----|------|-------|
| Standard | ø 25x50 | 8 | 28 | M8x19 |
| On request A richiesta | ø 16x40 | 5 | 18 | M6x16 |
| | ø 19x40 | 6 | 21.5 | M6x16 |
| | ø 20x40 | 6 | 22.5 | M8x19 |
| | ø 24x50 | 8 | 27 | M8x19 |

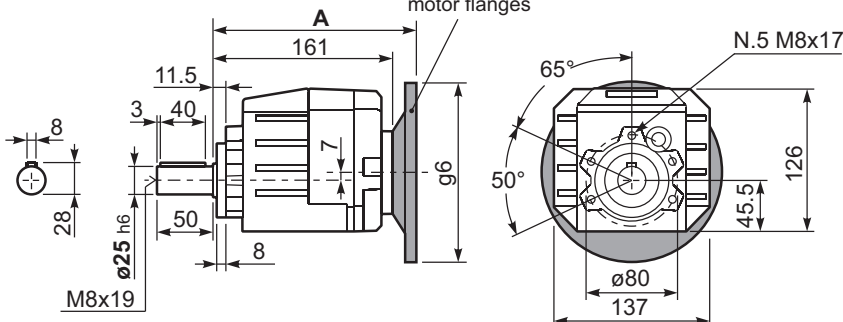
Available output flanges / flange di uscita

| a1 ø | b1 | c1 | e1 | f1 | s1 | kit code |
|------|-----|------|-----|-----|----|------------|
| 120 | 80 | 10 | 100 | 3 | 7 | KC40.9.010 |
| 140 | 95 | 10 | 115 | 3 | 9 | KC40.9.011 |
| 160 | 110 | 10 | 130 | 3.5 | 9 | KC40.9.012 |
| 200 | 130 | 10 | 165 | 3.5 | 11 | KC40.9.013 |
| 250 | 180 | 11.5 | 215 | 3.5 | 14 | KC40.9.014 |

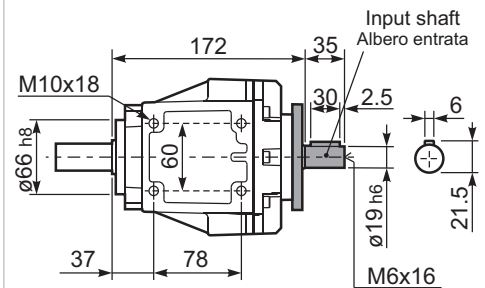
With flange and feet only on request.
Ask for compatibility

P412A-**N**... Basic gearbox
Riduttore base

Suggested B14 motor flanges



R412A-**N**... Input Shaft
Albero in entrata



| B5 Motor Flanges | A | C _{max} | g6 | k1 | kit code |
|------------------|-------|------------------|-----|-------|------------|
| 63 B5 | 181.5 | 177 | 140 | 185.5 | K063.4.041 |
| 71 B5 | 179.5 | 187 | 160 | 183.5 | K063.4.042 |
| 80/90 B5 | 181.5 | 207 | 200 | 185.5 | K063.4.043 |
| 100/112 B5 | 196.5 | 232 | 250 | 200.5 | KC40.4.043 |

| B14 Motor Flanges | A | C _{max} | g6 | k1 | kit code |
|-------------------|-------|------------------|-----|-------|------------|
| 71 B14 | 179.5 | 159.5 | 105 | 183.5 | K063.4.047 |
| 80 B14 | 181.5 | 167 | 120 | 185.5 | K063.4.046 |
| 90 B14 | 181.5 | 177 | 140 | 185.5 | K063.4.041 |
| 100/112 B14 | 196.5 | 187 | 160 | 200.5 | KC40.4.041 |