

## Configuration

Type:	<b>M</b>
Size:	<b>Z45</b>
Input:	<b>71 B14 ø105</b>
Output shaft/bore:	<b>Stainless steel ø18</b>
Mounting:	<b>BR</b>
Mounting position:	<b>B3</b>
Input bore:	<b>ø14</b>
Coupling:	<b>C</b>
Terminal box position:	<b>B</b>

## Technical data

Input rpm ( $n_1$ ):	<b>1400 min<sup>-1</sup></b>
Output rpm ( $n_2$ ):	<b>100.00 min<sup>-1</sup></b>
Ratio (i):	<b>14.00</b>
Nominal power ( $P_{1R}$ ):	<b>0.41 kW</b>
Nominal torque ( $M_{2R}$ ):	<b>30 Nm</b>
Dynamic efficiency (RD):	<b>77%</b>

## Selection

Motor power ( $P_{1M}$ ):	<b>0.37 kW</b>
Output torque ( $M_{2M}$ ):	<b>27 Nm</b>
Service factor (f.s.):	<b>1.1</b>

## Lubrication

Oil quantity:	<b>0.09l</b>
AGIP:	<b>Telium VSF 320</b>
SHELL:	<b>Omala S4 WE 320</b>

## On our website

Features	Irreversibility
How to order	Thermal limit
Dimension	Installation check list
Accessories/options	Spare parts list
Electric motors	Complete catalogue
Selection guide - fs	Selection by power (xls)
Mounting pos. - lubricant	
Calc. the overhung load	

## Note

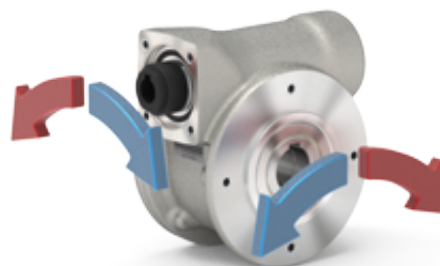
Customer

Lead time

Price

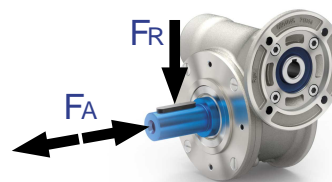


## Direction of rotation



## Axial and radial loads

Output shaft



$n_2$ (min <sup>-1</sup> )	FA (N)	FR (N)
<b>200</b>	180	900
<b>150</b>	200	1000
<b>100</b>	220	1100
<b>75</b>	240	1200
<b>50</b>	260	1400
<b>25</b>	300	1800
<b>15</b>	400	2000

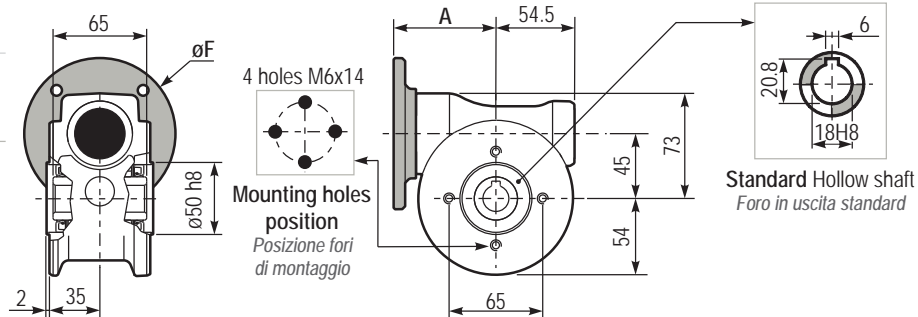
41 Nm

Z45

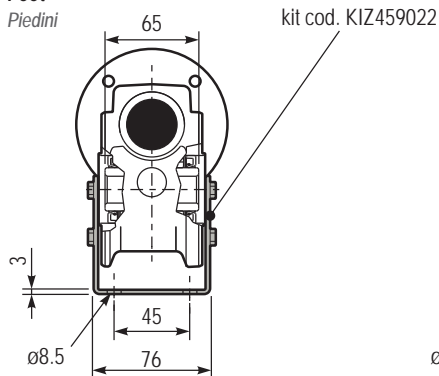
PZ45UN.. Basic gearbox  
Riduttore base

Gearbox weight  
Peso riduttore 2.50 kg

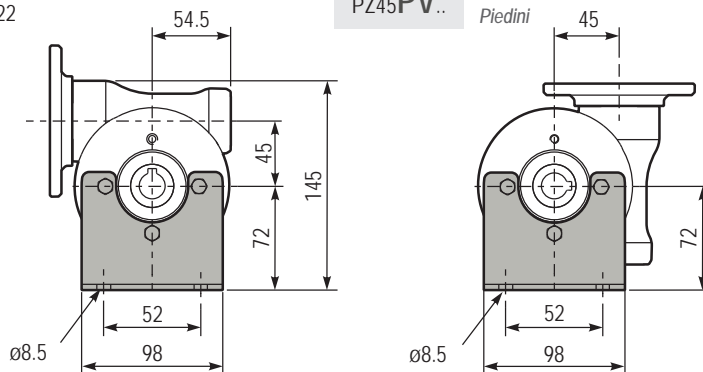
M. flanges	Kit code	øF	A
56B14	KZ454049	80	71.5
63B14	KZ454047	90	74
71B14	KZ454045	105	71.5



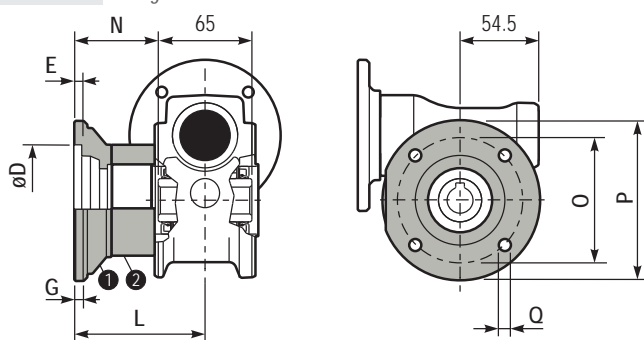
PZ45PA.. Feet  
Piedini



PZ45PV.. Feet  
Piedini

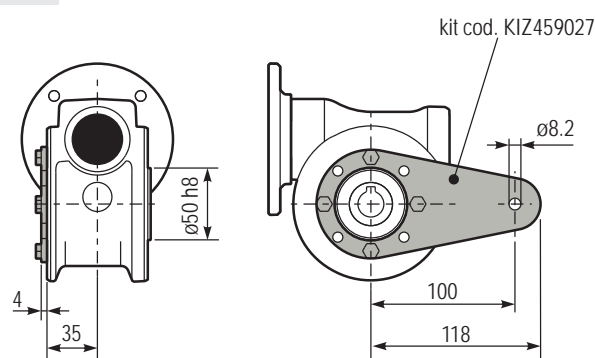


PZ45FC.. Output flange  
Flangia uscita

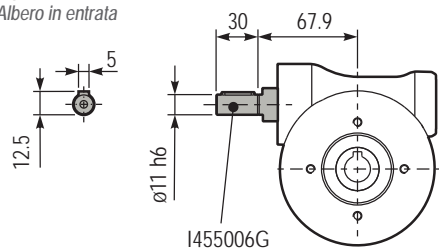


Type	øD	E	G	L	N	O	P	Q	Kit code
FC	60 <sup>+0.15</sup> <sub>-0.05</sub>	9	9	60.5	28	87	110	8.5	● KZ459010 ● KZ459010 ● KZ450200
FL	60 <sup>+0.15</sup> <sub>-0.05</sub>	9	9	90.5	58	87	110	8.5	● KZ459010 ● KZ450200

PZ45BR.. Reaction arm  
Braccio di reazione



RZ45UN.. Input shaft  
Albero in entrata



PZ45..S.. Single output shaft  
Albero semplice in uscita

