

MX22SC05-BFBN-QB3-

Price

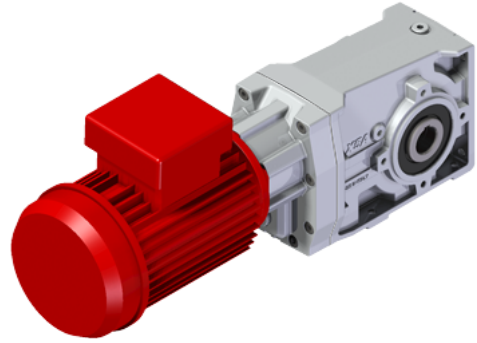
Lead time

Configuration

Type:	M
Size:	X22S
Input:	71 B14 ø105
Output shaft/bore:	ø20
Mounting:	FB
Mounting position:	B3
Input bore:	-
Coupling:	-
Terminal box position:	B

Technical data

Input rpm (n_1):	1400 min⁻¹
Output rpm (n_2):	107.14 min⁻¹
Ratio (i):	13.07 (05)
Nominal power (P_{1R}):	0.53 kW
Nominal torque (M_{2R}):	45 Nm
Dynamic efficiency (RD):	96%



Selection

Motor power (P_{1M}):	0.37 kW
Output torque (M_{2M}):	32 Nm
Service factor (f.s.):	1.4

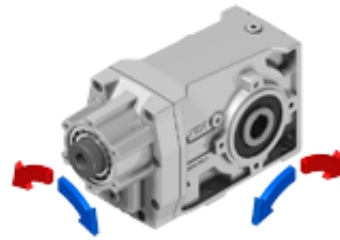
Lubrication

Oil quantity:	0.25l
AGIP:	Telium VSF 320
SHELL:	Omala S4 WE 320

On our website

Features	Atex certification
How to order	Installation check list
Dimension	Spare parts list
Accessories/options	Complete catalogue
Electric motors	Selection by power (xls)
Selection guide - fs	
Mounting pos. - lubricant	
Calc. the overhung load	

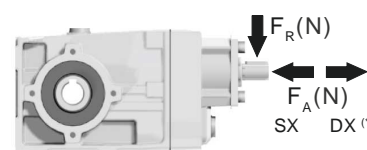
Direction of rotation



Note

Axial and radial loads

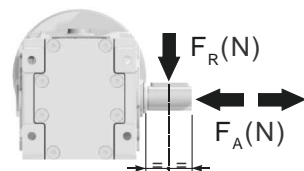
Input shaft



n_2 (min ⁻¹)	FA (N)	FR (N)
1400	140	700
900	160	800
500	190	950

*Strong axial loads in the DX direction are not allowed

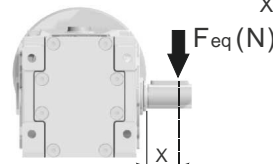
Output shaft



n_2 (min ⁻¹)	FA (N)	FR (N)
400	360	1800
250	380	1900
150	420	2100
100	440	2200
75	440	2200
50	440	2200
25	440	2200
15	440	2200

*On request taper roller bearings to increase loads

$$F_{eq} = F_R \frac{42}{X+23}$$

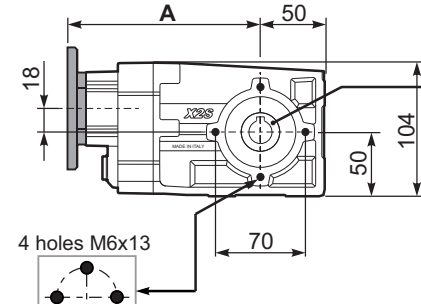
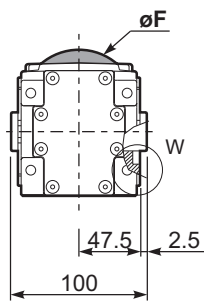
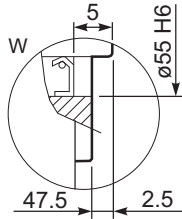


3D dimensions on the Web

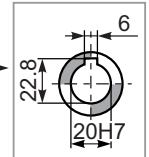
PX22SC... Basic Gearbox
Riduttore base

Gearbox weight
peso riduttore **3.70 kg**

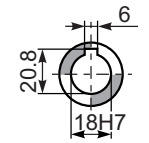
M. flanges	Kit code	øF	A
63B5	K050.4.041	138	154.5
71B5	K050.4.042	160	152
56B14	KC40.4.049	80	152
63B14	K050.4.047	90	154.5
71B14	K050.4.045	105	152



Mounting holes position
Posizione fori di montaggio

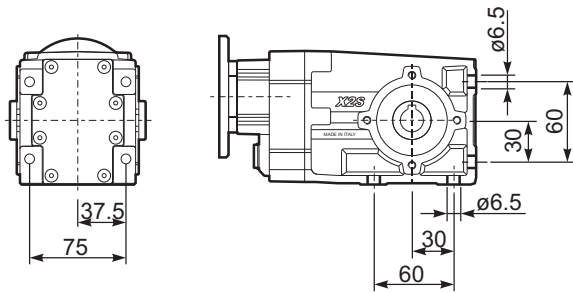


Standard
Hollow shaft

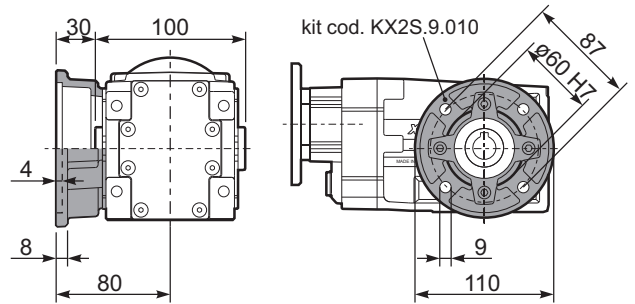


On request
A richiesta

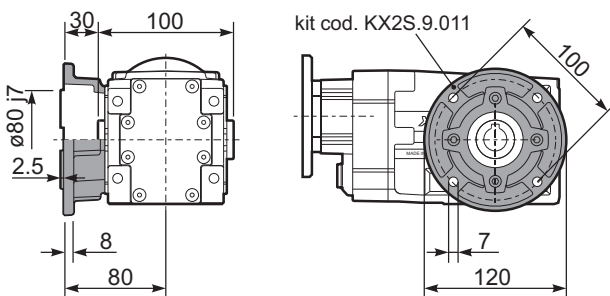
PX22S...FB.. Feet
Piedini



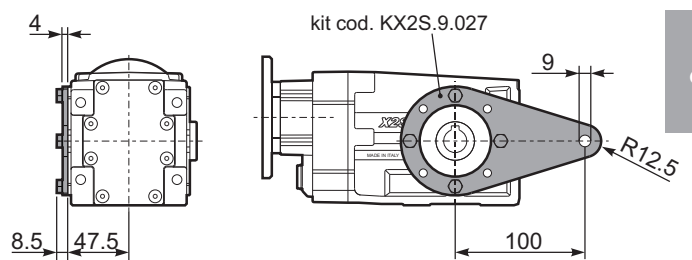
PX22S...-F0.. Output flange
Flangia uscita



PX22S...-F1.. Output flange
Flangia uscita

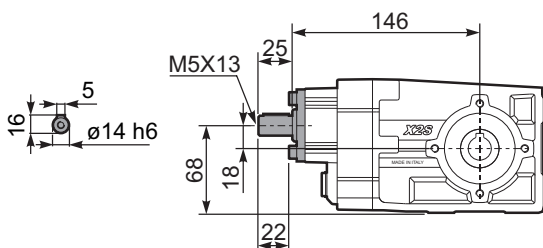


PX22S...BR.. Reaction Arm
Braccio di reazione



8

RX22S.. Input shaft
Albero in entrata



PX22SA.. Single output shaft
Albero semplice in uscita

