

## Three-Phase-Asynchronous-Motor FCA 132 M 4/HE

IE2AC13M4004

### General data

Kind of motor	3~
Type designation	FCA
Frame size	132
Mounting form	B5
Frame execution	M
Frame material	Aluminium
Insulation class	F/B
Terminal box location	top DE
Terminal box orientation	0° cable gland right side
Weight (kg)	55,20
Rotation Direction	right /left
Vibration level	A
Balancing method	half key
cooling type	IC411
Executed acc. to noise level	IEC 60034-1 IEC 60034-9

### Electrical data

Power 1 50Hz (kW)	7,50
Power 1 60Hz (kW)	9,00
Frequency (Hz)	50/60
Voltage 50Hz (V)	400/690
Voltage 60Hz (V)	460/795
Voltage/Frequency tolerance (not valid for range voltage)	range B
Connection	Δ/Y
Poles	4
Efficiency 100% 50Hz (%)	88,7
Efficiency 75% 50Hz (%)	89,0
Efficiency 50% 50Hz (%)	86,9
Efficiency 100% 60Hz (%)	89,5
Efficiency 75% 60Hz (%)	89,0
Efficiency 50% 60Hz (%)	86,9
Power factor	0,84
Starting current (Ia/In)	7,5
Starting torque (Ma/Mn)	2,2
Breakdown torque (Mk/Mn)	2,3
Current 50Hz (A)	14,53/8,42
Current 60Hz (A)	15,03/8,69
Eff.Cl.50Hz	IE2
Eff.Cl.60Hz	IE2

### Motor characteristics

Color	RAL7030
Paint surface	silk-gloss
Protection class	IP55
Cable gland size (cable connection)	1xM32x1,5 1xblind plug
Cable gland type	Standard
Shaft end (mm)	38 x 80
Shaft material	C45
Specification NDE	Plastic fan
Flange size	300

### Mechanical data

Torque (Nm)	49,23/49,23
Rotation speed (1/min)	1455/1746
Bearing DE	6308.ZZ.C3
Bearing NDE	6308.ZZ.C3
Mounting of bearing DE	loose bearing
Mounting of bearing NDE	loose bearing
Bearing lifetime (h)	20000
allow. Radial load (X/2) (N)	1700
allow. Radial load (X0) (N)	1900
allow. Radial load (Xmax) (N)	1500
allow. Axial load (N)	1450
allow. Axial load (V1) (N)	1400
Moment of inertia (kgm <sup>2</sup> )	0,0296

### Influencing factors

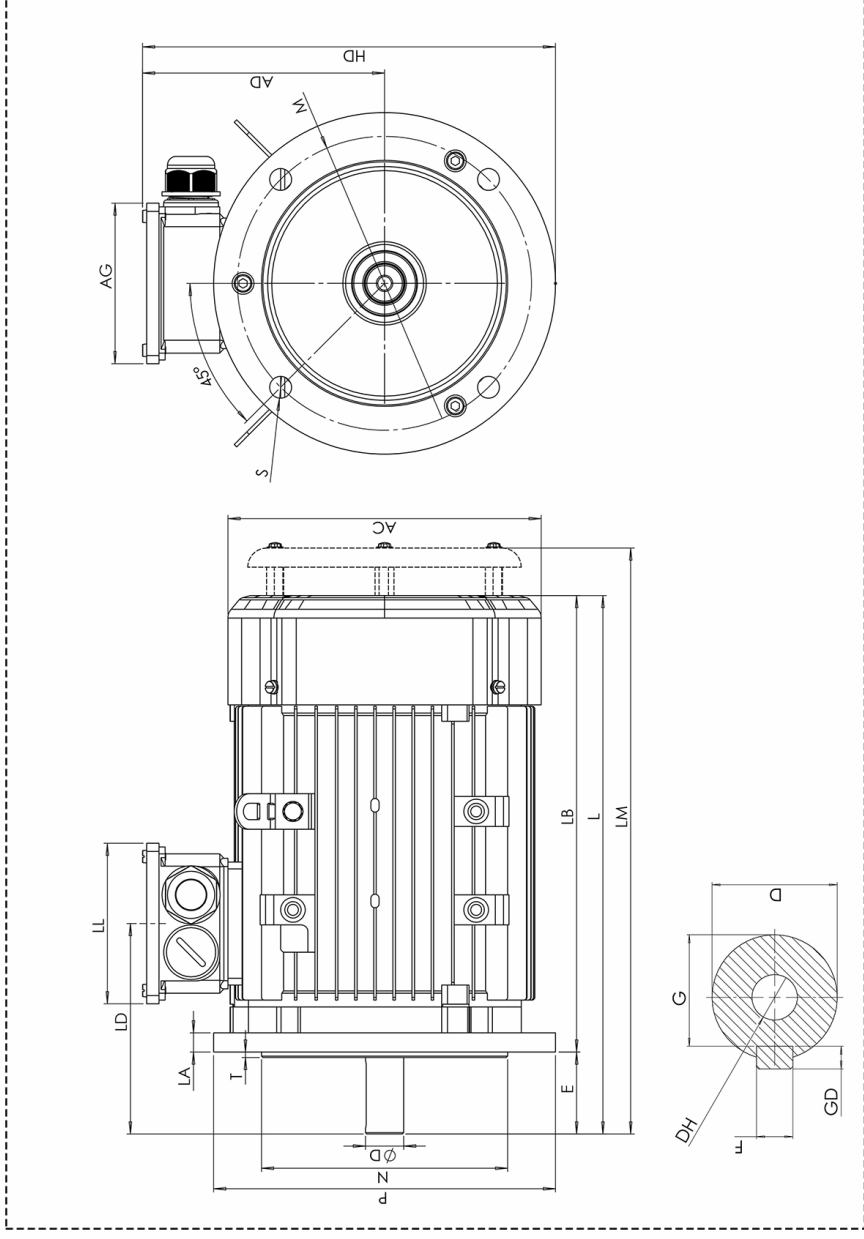
Duty	S1
Ambient temperature (°C)	-20 up to +40
Height of location (m)	1000

Technical changes and errors reserved.

14.02.2019

## Drawings

### Three-Phase-Asynchronous-Motor FCA 132 M 4/HE IE2AC13M4004



S	4x14,5	T	4,00	HD	338,00	P	300	N	230	M	265	LB	423	LA	14	LM	543	IPE/KK	M32x1,5	DH	M12x28	ED	7,50	G	33,00	LL	117,50	L	503,00	AG	117,50	GD	8	EB	65	F	10	E	80	D	38	AD	188	AC	258
---	--------	---	------	----	--------	---	-----	---	-----	---	-----	----	-----	----	----	----	-----	--------	---------	----	--------	----	------	---	-------	----	--------	---	--------	----	--------	----	---	----	----	---	----	---	----	---	----	----	-----	----	-----