

Three-Phase-Asynchronous-Motor FCPA 90 L 6/PHE

IE3AC09L6002

General data

Kind of motor	3~
Type designation	FCPA
Frame size	90
Mounting form	B34a
Frame execution	L
Frame material	Aluminium
Insulation class	F/B
Terminal box location	top DE
Terminal box orientation	0° cable gland right side
Weight (kg)	18,00
Rotation Direction	right /left
Vibration level	A
Balancing method	half key
cooling type	IC411
Executed acc. to noise level	IEC 60034-1 IEC 60034-9

Electrical data

Power 1 50Hz (kW)	1,10
Power 1 60Hz (kW)	1,32
Frequency (Hz)	50/60
Voltage 50Hz (V)	230/400
Voltage 60Hz (V)	265/460
Voltage/Frequency tolerance (range range B not valid for range voltage)	
Connection	Δ/Y
Poles	6
Efficiency 100% 50Hz (%)	81,0
Efficiency 75% 50Hz (%)	81,0
Efficiency 50% 50Hz (%)	79,4
Efficiency 100% 60Hz (%)	88,5
Efficiency 75% 60Hz (%)	81,0
Efficiency 50% 60Hz (%)	79,4
Power factor	0,73
Starting current (Ia/In)	5,9
Starting torque (Ma/Mn)	2,1
Breakdown torque (Mk/Mn)	2,1
Current 50Hz (A)	4,67/2,69
Current 60Hz (A)	4,45/2,56
Eff.Cl.50Hz	IE3
Eff.Cl.60Hz	IE3

Motor characteristics

Color	RAL7030
Paint surface	shiny
Protection class	IP55
Cable gland size (cable connection)	1xM25x1,5 1xblind plug
Cable gland type	Standard
Shaft end (mm)	24 x 50
Shaft material	C45
Specification NDE	Plastic fan
Flange size	140

Mechanical data

Torque (Nm)	11,12/11,12
Rotation speed (1/min)	945/1134
Bearing DE	6205.ZZ.C3
Bearing NDE	6205.ZZ.C3
Mounting of bearing DE	loose bearing
Mounting of bearing NDE	loose bearing
Bearing lifetime (h)	20000
allow. Radial load (X/2) (N)	925
allow. Radial load (X0) (N)	1025
allow. Radial load (Xmax) (N)	825
allow. Axial load (N)	825
allow. Axial load vertical shaft (N)	785
Moment of inertia (kgm ²)	0,0047

Influencing factors

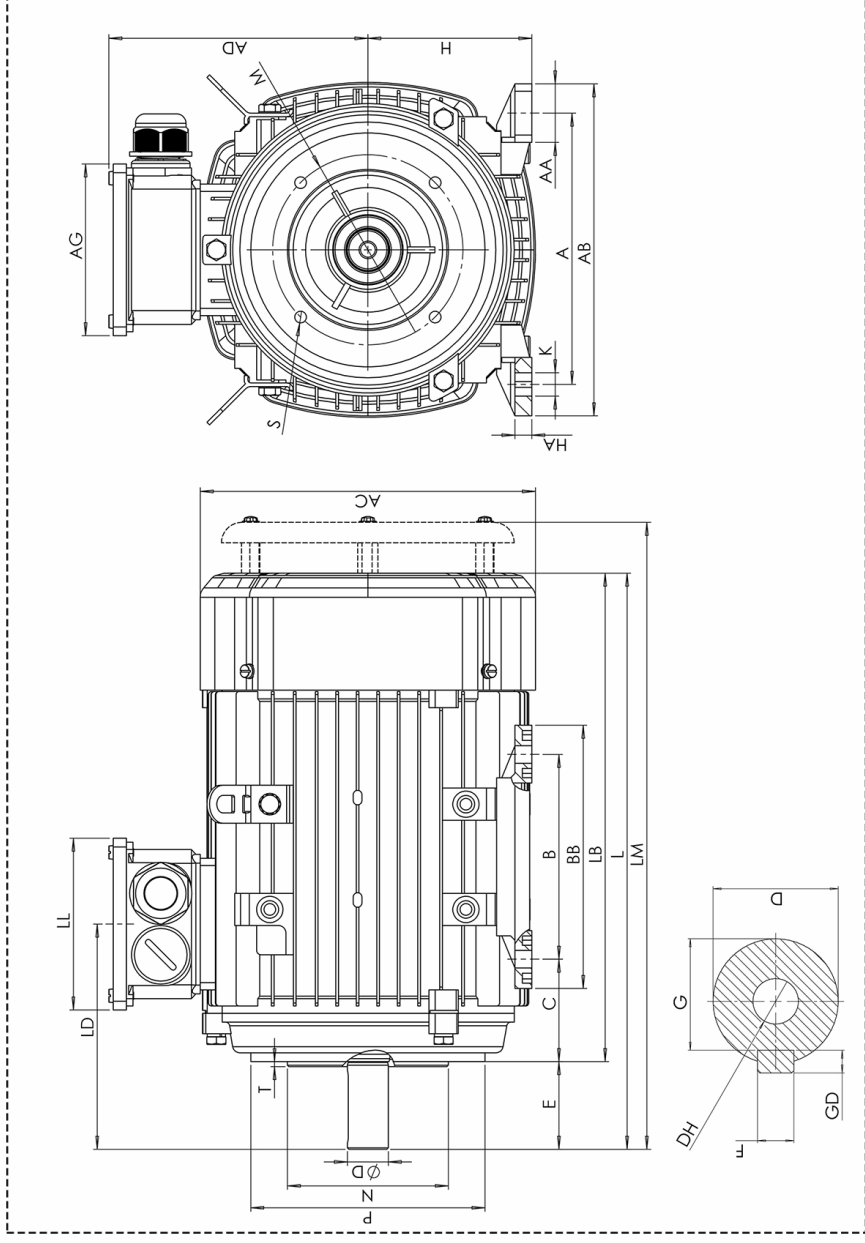
Duty	S1
Ambient temperature (°C)	-20 up to +40
Height of location (m)	1000

Technical changes and errors reserved.

21.03.2019

Drawings

Three-Phase-Asynchronous-Motor FCPA 90 L 6/PHE IE3AC09L6002



P	140	N	95	M	115	LA	12	LB	294	LM	374	IPE/KK	M25x1,5	DH	M8x19	K	10x14	ED	5,00	G	20,00	LL	109,00	LD	145,00	L	344,00	AG	109,00	GD	7	EB	40	F	8	HA	10	H	90	E	50	D	24	C	56	BB	150	B	125	AD	140	AC	175	AB	173	AA	37	A	140
---	-----	---	----	---	-----	----	----	----	-----	----	-----	--------	---------	----	-------	---	-------	----	------	---	-------	----	--------	----	--------	---	--------	----	--------	----	---	----	----	---	---	----	----	---	----	---	----	---	----	---	----	----	-----	---	-----	----	-----	----	-----	----	-----	----	----	---	-----