

Three-Phase-Asynchronous-Motor FCA 132 MC 2/PHE

IE3AC13MC202

General data

Type of motor	3~ progressiv
Type designation	FCA
Frame size	132
Mounting	B5
Frame execution	M
Frame material	Aluminium
Insulation class	F/B
Terminal box location	top DE
Terminal box orientation	cable gland to the right side
Weight (kg)	71,20
Rotation Direction	right /left
Vibration level	A
Balancing method	half key
cooling type	IC411
Executed acc. to noise level	IEC 60034-1 IEC 60034-9

Electrical data

Power 1 50Hz (kW)	11,00
Power 1 60Hz (kW)	13,20
Frequency (Hz)	50/60
Voltage 50Hz (V)	400/690
Voltage 60Hz (V)	460/795
Voltage/Frequency tolerance (not valid for range voltage)	range B
Connection	Δ/Y
Poles	2
Efficiency 100% 50Hz (%)	91,2
Efficiency 75% 50Hz (%)	91,2
Efficiency 50% 50Hz (%)	89,4
Efficiency 100% 60Hz (%)	91,0
Efficiency 75% 60Hz (%)	91,2
Efficiency 50% 60Hz (%)	89,4
Power factor	0,9
Starting current (Ia/In)	7,9
Starting torque (Ma/Mn)	2,2
Breakdown torque (Mk/Mn)	2,3
Current 50Hz (A)	19,34/11,21
Current 60Hz (A)	20,23/11,70
Eff.Cl.50Hz	IE3
Eff.Cl.60Hz	IE3

Motor characteristics

Color	RAL7030
Paint surface	shiny
Protection class	IP55
Cable gland size (cable connection)	1xM32x1,5 1xblind plug
Cable gland type	Standard
Shaft end (mm)	38 x 80
Shaft material	C45
Specification NDE	Plastic fan
Flange size	300

Mechanical data

Torque (Nm)	35,73/35,73
Rotation speed (1/min)	2940/3528
Bearing DE	6308.ZZ.C3
Bearing NDE	6308.ZZ.C3
Mounting of bearing DE	loose bearing
Mounting of bearing NDE	loose bearing
Bearing lifetime (h)	20000
allow. Radial load (X/2) (N)	1350
allow. Radial load (X0) (N)	1500
allow. Radial load (Xmax) (N)	1200
allow. Axial load B3,B5,B35,B14,B34 (N)	1075
allow. Axial load V1,V3,V19,V18 (N)	1025
Moment of inertia (kgm ²)	0,017

Influencing factors

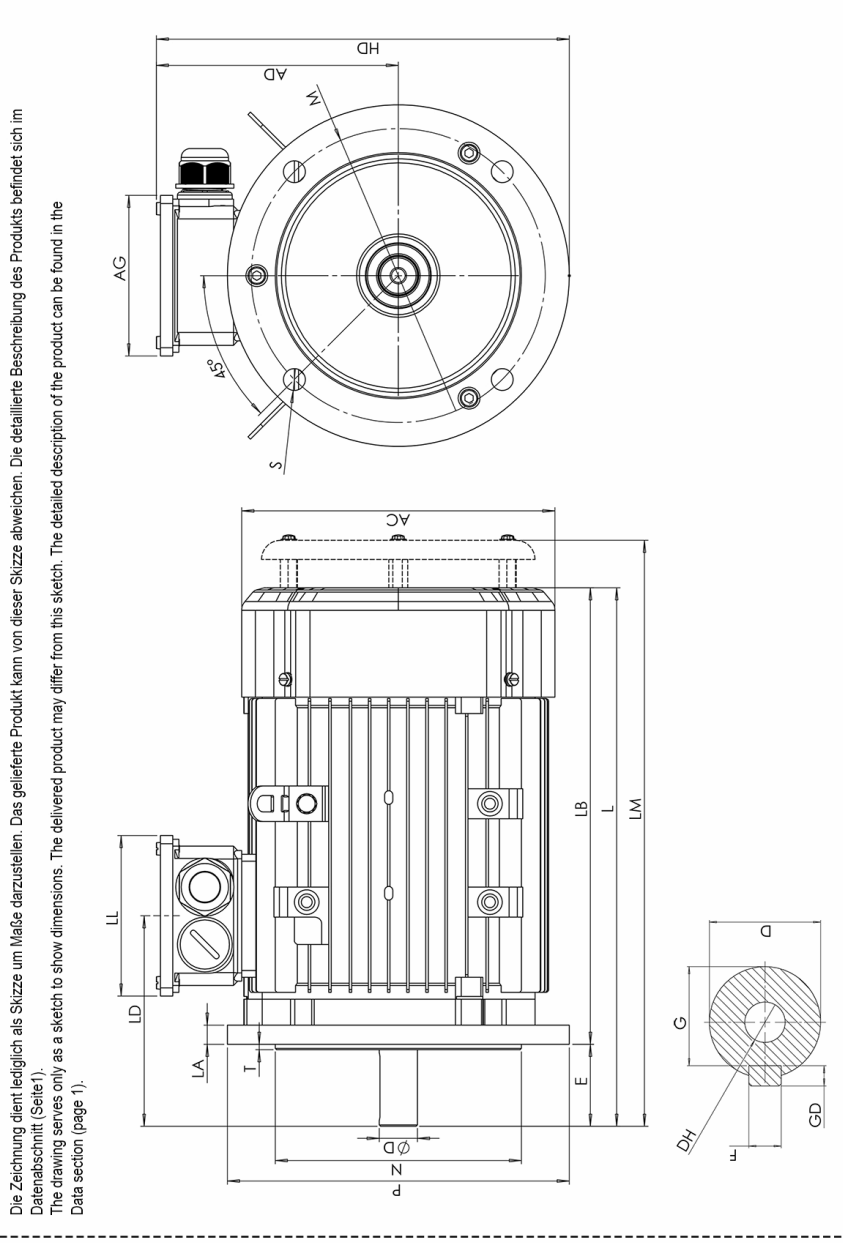
Duty	S1
Ambient temperature (°C)	-20 up to +40
Height of location (m)	1000

Technical changes and errors reserved.

17.09.2021

Drawings

Three-Phase-Asynchronous-Motor FCA 132 MC 2/PHE IE3AC13MC202



Die Zeichnung dient lediglich als Skizze um Maße darzustellen. Das gelieferte Produkt kann von dieser Skizze abweichen. Die detaillierte Beschreibung des Produkts befindet sich im Datenabschnitt (Seite 1).
The drawing serves only as a sketch to show dimensions. The delivered product may differ from this sketch. The detailed description of the product can be found in the Data section (page 1).

S	T	HD	P	N	M	LB	LA	LM	IPE/KK	DH	ED	G	LL	L	AG	GD	EB	F	E	D	AD	AC
4x14,5	4,00	338,00	300	230	265	403	14	523	M32x1,5	M12x28	7,50	33,00	117,50	483,00	117,50	8	65	10	80	38	191	258