

## Three-Phase-Asynchronous-Motor ACM 200 L 4/HE

IE2AC20L4004

### General data

Kind of motor	3~
Type designation	ACM
Frame size	200
Mounting form	B3
Frame execution	L
Frame material	Cast iron
Insulation class	F/B
Terminal box location	top DE
Terminal box orientation	0° cable gland right side
Weight (kg)	259,00
Rotation Direction	right /left
Vibration level	A
Balancing method	half key
cooling type	IC411
Executed acc. to noise level	IEC 60034-1 IEC 60034-9

### Electrical data

Power 1 50Hz (kW)	30,00
Power 1 60Hz (kW)	36,00
Frequency (Hz)	50/60
Voltage 50Hz (V)	400/690
Voltage 60Hz (V)	460/795
Voltage/Frequency tolerance (not valid for range voltage)	range B
Connection	Δ/Y
Poles	4
Efficiency 100% 50Hz (%)	92,3
Efficiency 75% 50Hz (%)	92,6
Efficiency 50% 50Hz (%)	90,5
Efficiency 100% 60Hz (%)	93,0
Efficiency 75% 60Hz (%)	92,6
Efficiency 50% 60Hz (%)	90,5
Power factor	0,86
Starting current (Ia/In)	7,8
Starting torque (Ma/Mn)	2,2
Breakdown torque (Mk/Mn)	2,3
Current 50Hz (A)	54,55/31,62
Current 60Hz (A)	56,49/32,69
Eff.Cl.50Hz	IE2
Eff.Cl.60Hz	IE2

### Motor characteristics

Color	RAL7030
Paint surface	silk-gloss
Protection class	IP55
Cable gland size (cable connection)	2xM50x1,5
Cable gland size (option)	M20x1,5
Cable gland type	Standard
Shaft end (mm)	55 x 110
Shaft material	C45
Specification NDE	Plastic fan

### Mechanical data

Torque (Nm)	194,90/194,90
Rotation speed (1/min)	1470/1764
Bearing DE	6312.ZZ.C3
Bearing NDE	6312.ZZ.C3
Mounting of bearing DE	loose bearing
Mounting of bearing NDE	fixed bearing
Bearing lifetime (h)	20000
Moment of inertia (kgm <sup>2</sup> )	0,265

### Influencing factors

Duty	S1
Ambient temperature (°C)	-20 up to +40
Height of location (m)	1000

### Additional options

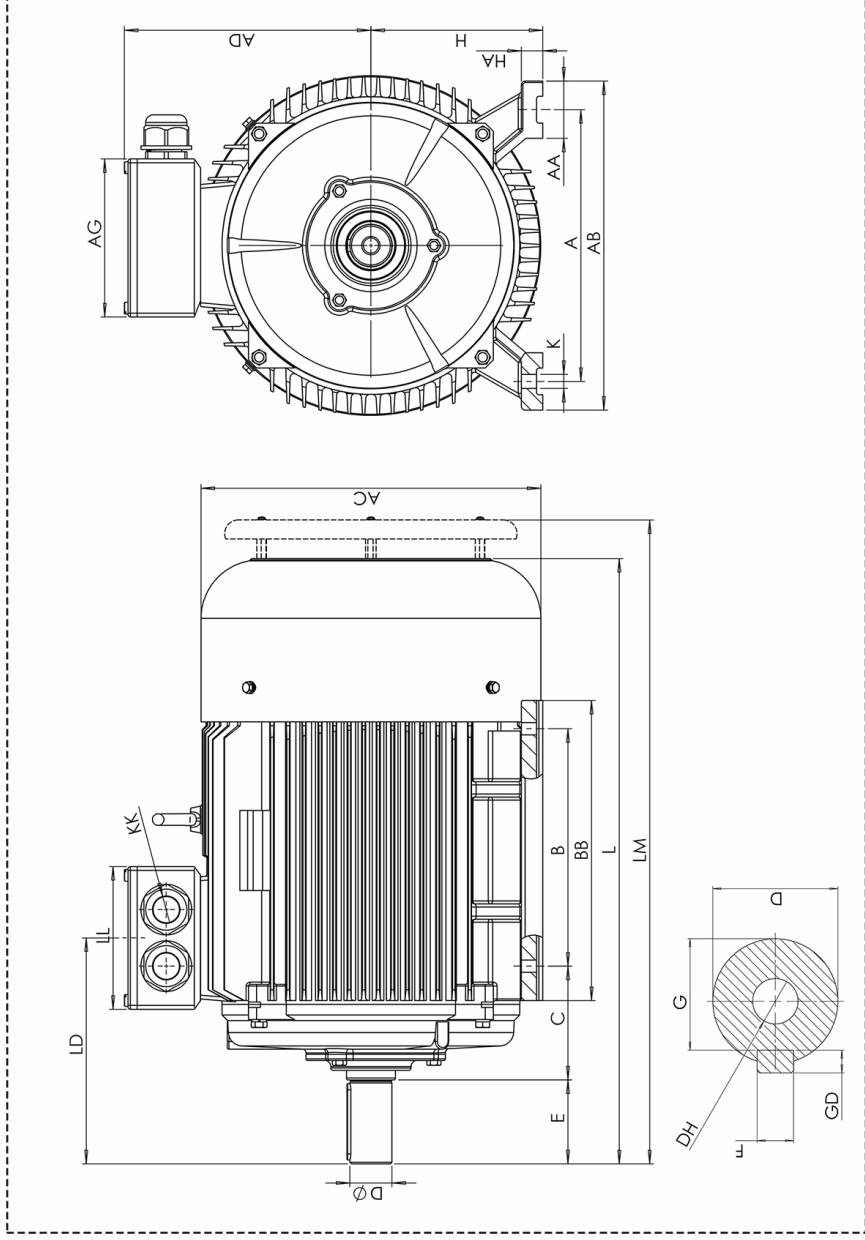
Protection winding	PTC 150°C
--------------------	-----------

Technical changes and errors reserved.

14.02.2019

## Drawings

### Three-Phase-Asynchronous-Motor ACM 200 L 4/HE IE2AC20L4004



LM	827	IPE/KK	M50x1.5	DH	M20x42	K	18,5	ED	5,00	G	49,00	LL	190,00	L	772,00	AG	210,00	GD	10	EB	100	F	16	HA	25	H	200	E	110	D	55	C	133	BB	369	B	305	AD	299	AC	397	AB	388	AA	70	A	318
----	-----	--------	---------	----	--------	---	------	----	------	---	-------	----	--------	---	--------	----	--------	----	----	----	-----	---	----	----	----	---	-----	---	-----	---	----	---	-----	----	-----	---	-----	----	-----	----	-----	----	-----	----	----	---	-----