

Three-Phase-Asynchronous-Motor FCA 112 M 4/HE

IE2AC11M4005

General data

Kind of motor	3~
Type designation	FCA
Frame size	112
Mounting form	B5
Frame execution	M
Frame material	Aluminium
Insulation class	F/B
Terminal box location	top DE
Terminal box orientation	0° cable gland right side
Weight (kg)	35,00
Rotation Direction	right /left
Vibration level	A
Balancing method	half key
cooling type	IC411
Executed acc. to noise level	IEC 60034-1 IEC 60034-9

Electrical data

Power 1 50Hz (kW)	4,00
Power 1 60Hz (kW)	4,80
Frequency (Hz)	50/60
Voltage 50Hz (V)	400/690
Voltage 60Hz (V)	460/795
Voltage/Frequency tolerance (range range B not valid for range voltage)	
Connection	Δ/Y
Poles	4
Efficiency 100% 50Hz (%)	86,6
Efficiency 75% 50Hz (%)	86,9
Efficiency 50% 50Hz (%)	84,9
Efficiency 100% 60Hz (%)	89,5
Efficiency 75% 60Hz (%)	86,9
Efficiency 50% 60Hz (%)	84,9
Power factor	0,82
Starting current (Ia/In)	7,6
Starting torque (Ma/Mn)	2,3
Breakdown torque (Mk/Mn)	2,3
Current 50Hz (A)	8,13/4,71
Current 60Hz (A)	8,21/4,75
Eff.Cl.50Hz	IE2
Eff.Cl.60Hz	IE2

Motor characteristics

Color	RAL7030
Paint surface	shiny
Protection class	IP55
Cable gland size (cable connection)	1xM32x1,5 1xblind plug
Cable gland type	Standard
Shaft end (mm)	28 x 60
Shaft material	C45
Specification NDE	Plastic fan
Flange size	250

Mechanical data

Torque (Nm)	26,44/26,44
Rotation speed (1/min)	1445/1734
Bearing DE	6306.ZZ.C3
Bearing NDE	6306.ZZ.C3
Mounting of bearing DE	loose bearing
Mounting of bearing NDE	loose bearing
Bearing lifetime (h)	20000
allow. Radial load (X/2) (N)	1100
allow. Radial load (X0) (N)	1225
allow. Radial load (Xmax) (N)	975
allow. Axial load (N)	950
allow. Axial load vertical shaft (N)	905
Moment of inertia (kgm ²)	0,0095

Influencing factors

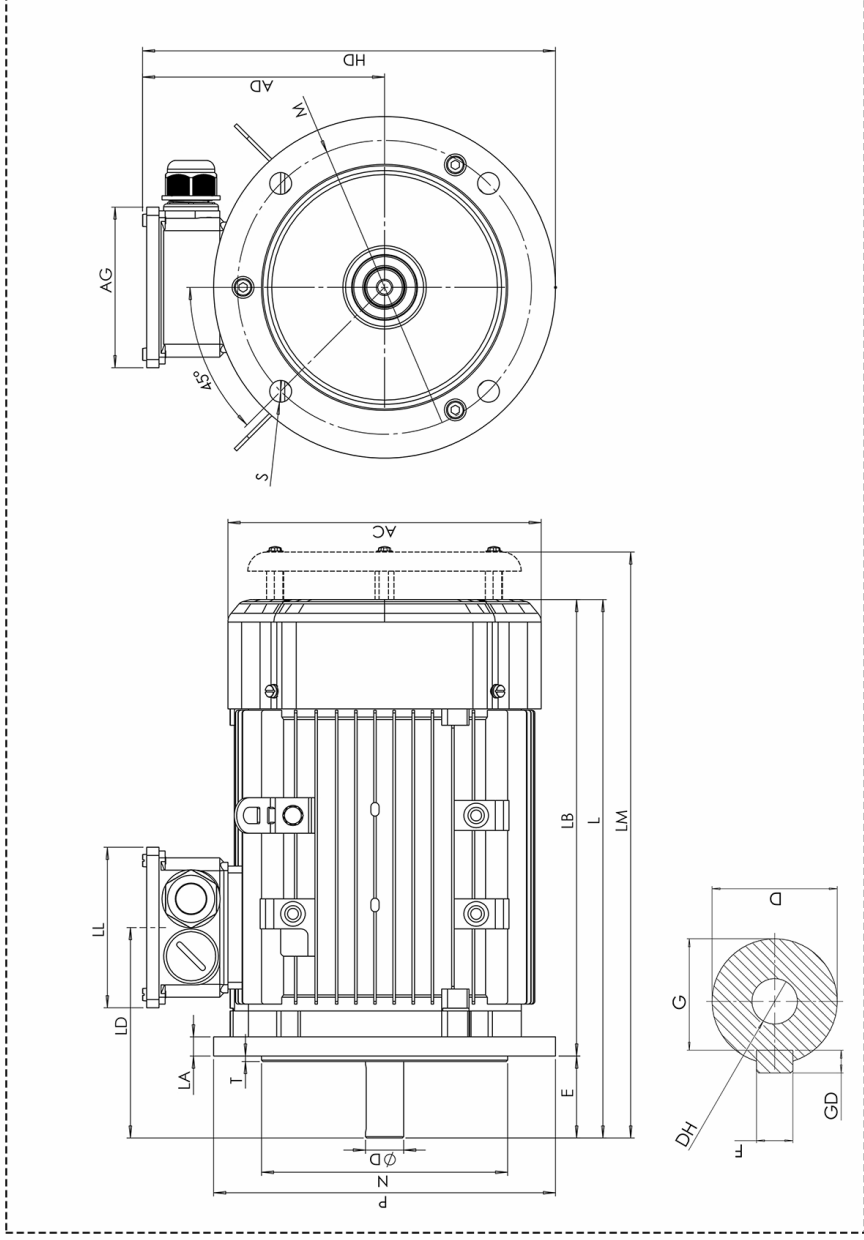
Duty	S1
Ambient temperature (°C)	-20 up to +40
Height of location (m)	1000

Technical changes and errors reserved.

23.05.2019

Drawings

Three-Phase-Asynchronous-Motor FCA 112 M 4/HE IE2AC11M4005



S	T	HD	P	N	M	LB	LA	LM	IPE/KK	DH	ED	G	LL	L	AG	GD	EB	F	E	D	AD	AC
4x14,5	4,00	294,00	250	180	215	335	14	435	M32x1,5	M12x28	5,00	24,00	118,50	395,00	118,50	7	50	8	60	28	169	219