

## Three-Phase-Asynchronous-Motor ACM 280 S 4/HE

IE2AC28S4003

### General data

Kind of motor	3~
Type designation	ACM
Frame size	280
Mounting form	B3
Frame execution	S
Frame material	Cast iron
Insulation class	F/B
Terminal box location	top DE
Terminal box orientation	0° cable gland right side
Weight (kg)	546,00
Rotation Direction	right /left
Vibration level	A
Balancing method	half key
cooling type	IC411
Executed acc. to noise level	IEC 60034-1 IEC 60034-9

### Electrical data

Power 1 50Hz (kW)	75,00
Power 1 60Hz (kW)	90,00
Frequency (Hz)	50/60
Voltage 50Hz (V)	400/690
Voltage 60Hz (V)	460/795
Voltage/Frequency tolerance (not valid for range voltage)	range B
Connection	$\Delta/Y$
Poles	4
Efficiency 100% 50Hz (%)	94,0
Efficiency 75% 50Hz (%)	94,3
Efficiency 50% 50Hz (%)	92,1
Efficiency 100% 60Hz (%)	94,5
Efficiency 75% 60Hz (%)	94,3
Efficiency 50% 60Hz (%)	92,1
Power factor	0,87
Starting current (Ia/In)	7,4
Starting torque (Ma/Mn)	2,2
Breakdown torque (Mk/Mn)	2,3
Current 50Hz (A)	132,37/76,73
Current 60Hz (A)	137,39/79,50
Eff.Cl.50Hz	IE2
Eff.Cl.60Hz	IE2

### Motor characteristics

Color	RAL7030
Paint surface	silk-gloss
Protection class	IP55
Cable gland size (cable connection)	2xM63x1,5
Cable gland size (option)	M20x1,5
Cable gland type	Standard
Shaft end (mm)	75 x 140
Shaft material	C45
Specification NDE	Plastic fan

### Mechanical data

Torque (Nm)	483,95/483,95
Rotation speed (1/min)	1480/1776
Bearing DE	6317.ZZ.C3
Bearing NDE	6317.ZZ.C3
Mounting of bearing DE	loose bearing
Mounting of bearing NDE	fixed bearing
Bearing lifetime (h)	20000
allow. Radial load (X/2) (N)	7787
allow. Radial load (X0) (N)	8550
allow. Radial load (Xmax) (N)	7025
allow. Axial load (N)	6900
allow. Axial load (V1) (N)	5450
Moment of inertia (kgm <sup>2</sup> )	1,14

### Influencing factors

Duty	S1
Ambient temperature (°C)	-20 up to +40
Height of location (m)	1000

### Additional options

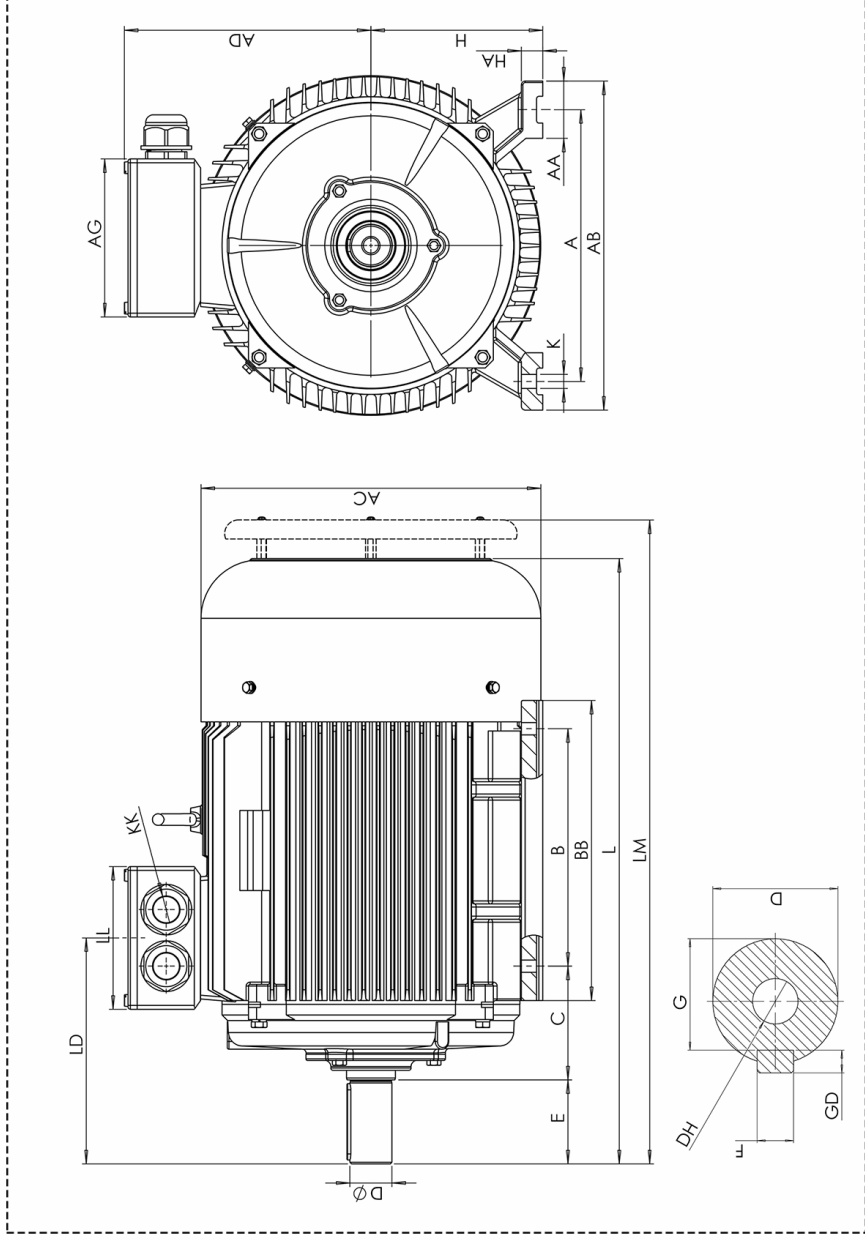
Protection winding	PTC 150°C
--------------------	-----------

Technical changes and errors reserved.

14.02.2019

## Drawings

### Three-Phase-Asynchronous-Motor ACM 280 S 4/HE IE2AC28S4003



LM	1047	IPE/KK	M63x1.5	DH	M20x42	K	24	ED	7,50	G	67,50	LL	218,00	L	982,00	AG	248,00	GD	12	EB	125	F	20	HA	35	H	280	E	140	D	75	C	190	BB	485	B	368	AD	387	AC	547	AB	542	AA	85	A	457
----	------	--------	---------	----	--------	---	----	----	------	---	-------	----	--------	---	--------	----	--------	----	----	----	-----	---	----	----	----	---	-----	---	-----	---	----	---	-----	----	-----	---	-----	----	-----	----	-----	----	-----	----	----	---	-----